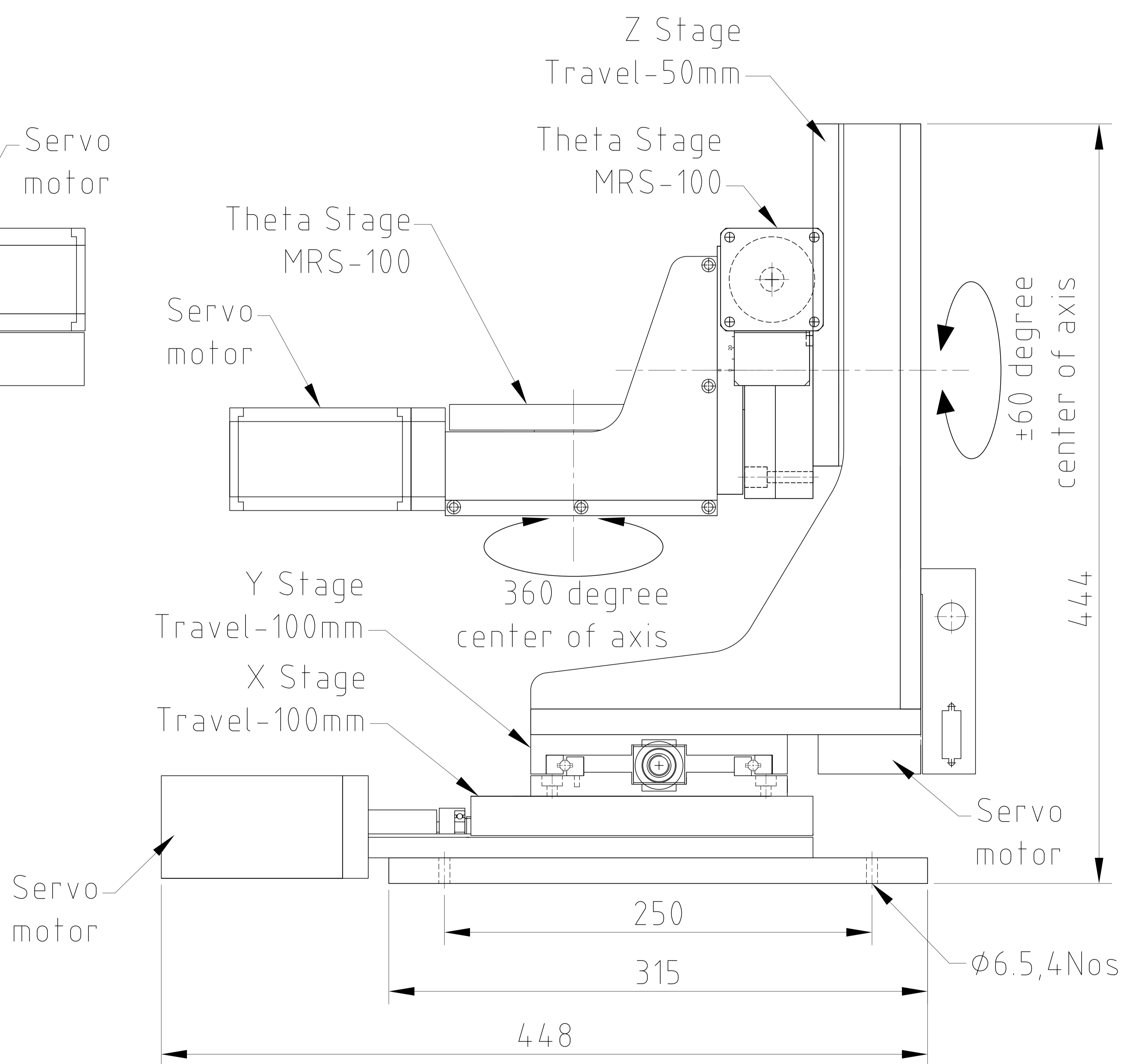
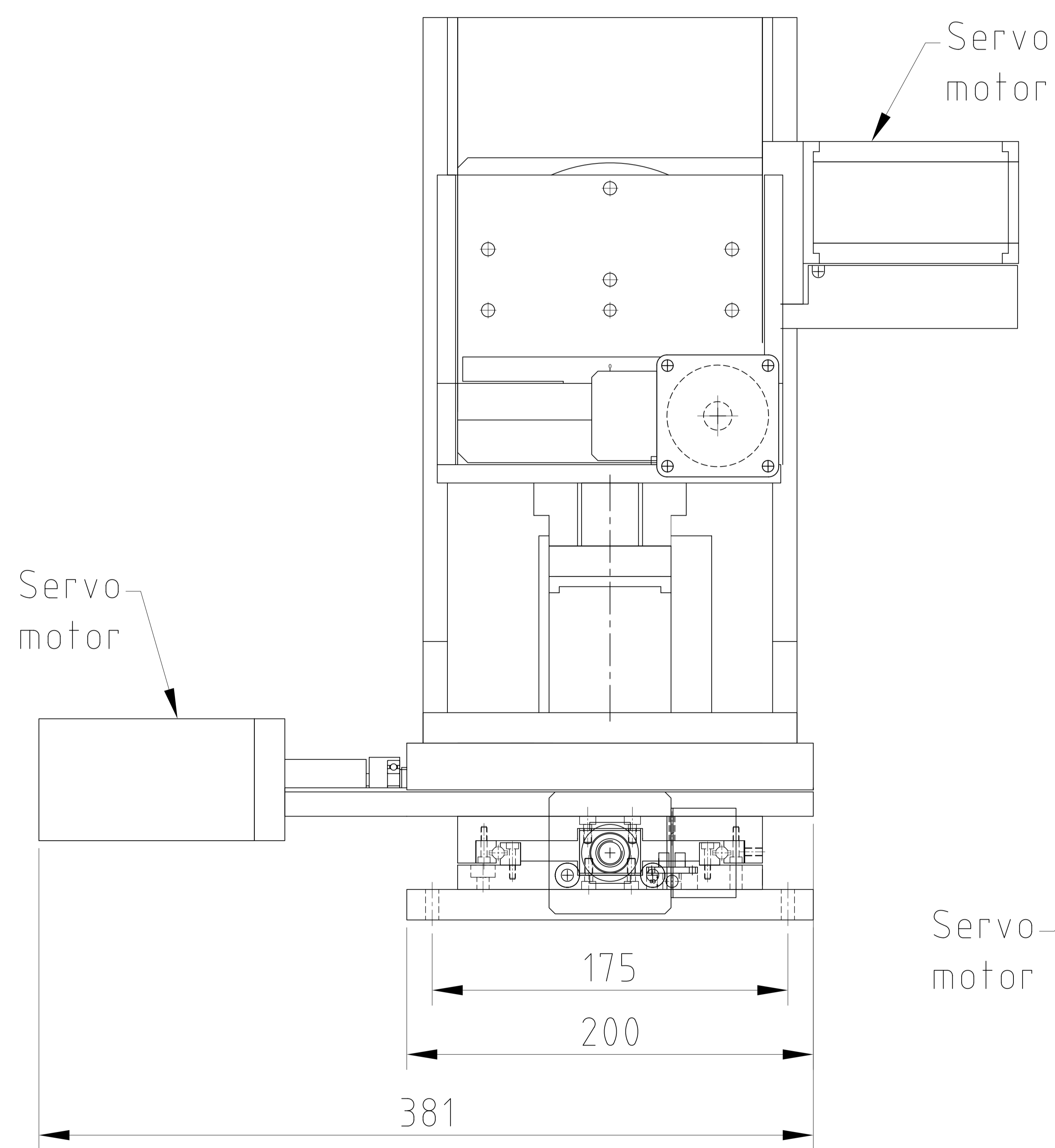
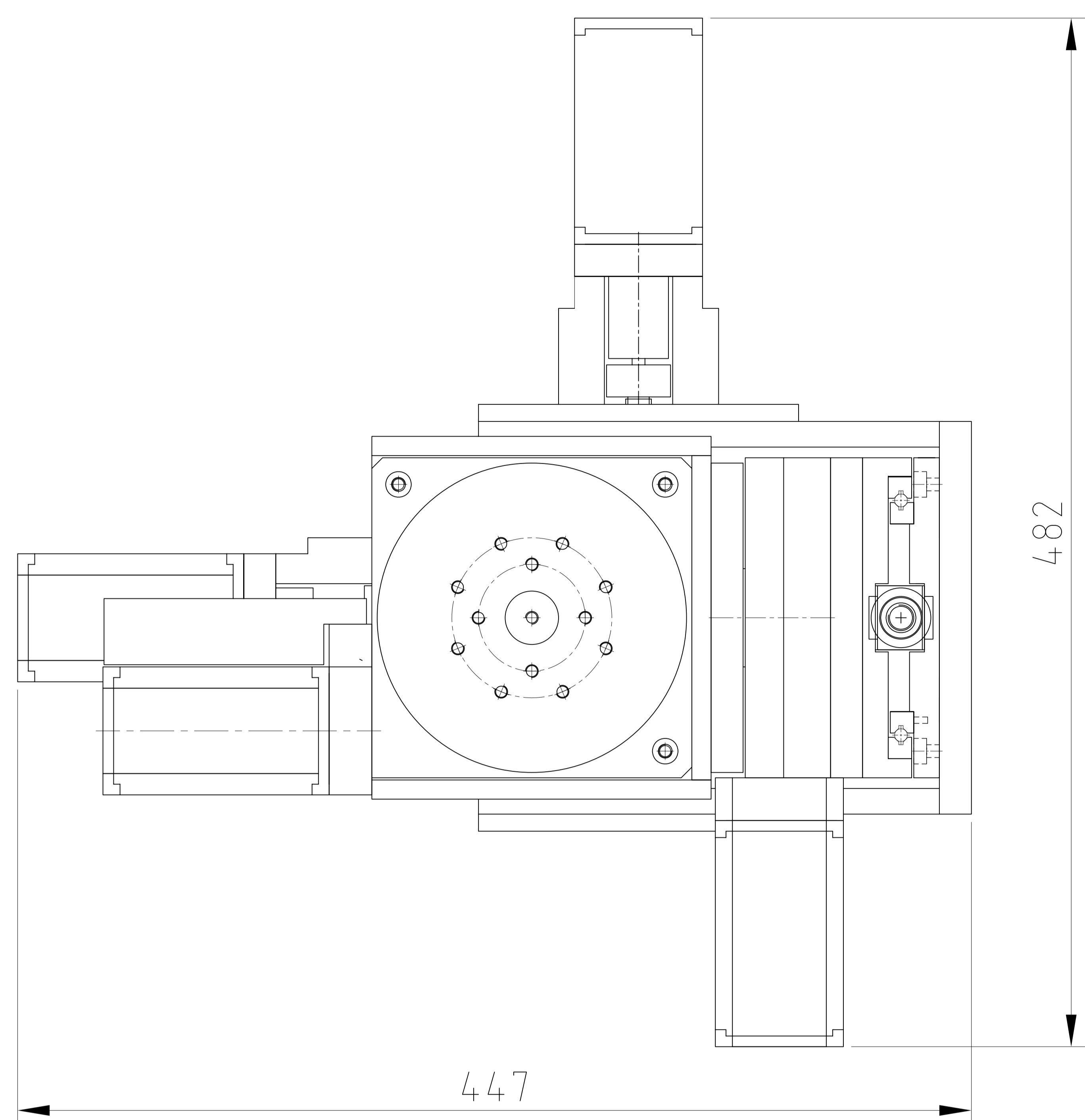
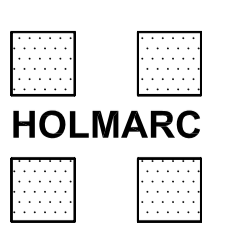
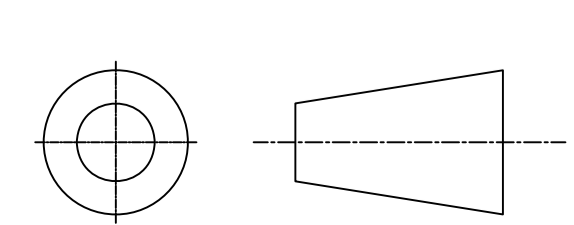


REV	DESCRIPTION	DATE
-	-	-



Gen -Tolerances				Designed by	Material	Quantity	Finish	Date	Size
Linear		Angular		SR	Aluminium		-	08-12-2018	A4
X	±0.5	X°	±0.5°	Checked by SK	 HOLMARC OPTO-MECHATRONICS (P) Ltd	Title XYZCA Stage			
X.X	±0.1	All Dims are in MM							
X.XX	±0.02			Approved by	Part Number	Part Name	Drawing/ Model Number	Part Revision	
X.XXX	±0.005			Emc	-	Assembly			0