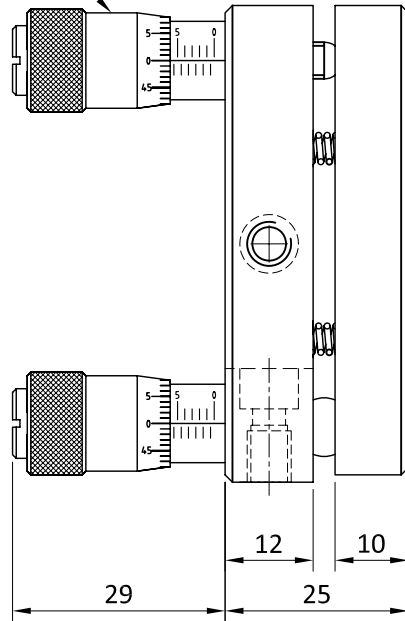
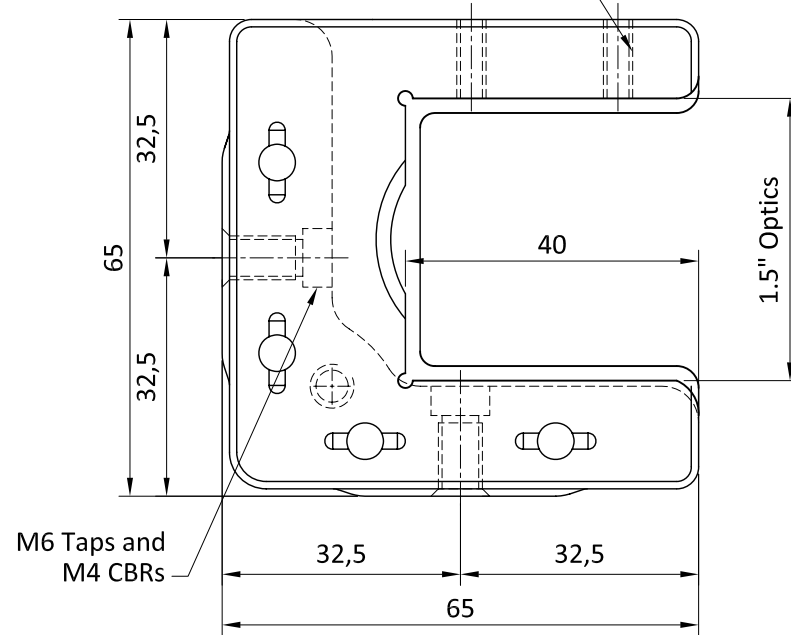


Micrometer - 2nos



Tipped Set Screws for Optics Holding



1.5" or 38mm optic mount

Model No:KMR-Mu-38

"INFORMATION ONLY NOT FOR MANUFACTURING"

ALL DIMENSIONS ARE IN MM
UNLESS OTHERWISE STATED



HOLMARC
OPTO-MECHATRONICS PVT. LTD

Kinematic Mount For
Rectangular Optics

THIS INFORMATION IS CONFIDENTIAL AND PROPRIETARY TO HOLMARC, ITS WORLDWIDE SUBSIDIARIES AND/OR AFFILIATES. IT MAY NOT BE DISCLOSED TO ANYONE, OTHER THAN HOLMARC PERSONNEL, WITHOUT WRITTEN AUTHORIZATION FROM AN AUTHORIZED REPRESENTATIVE OF HOLMARC