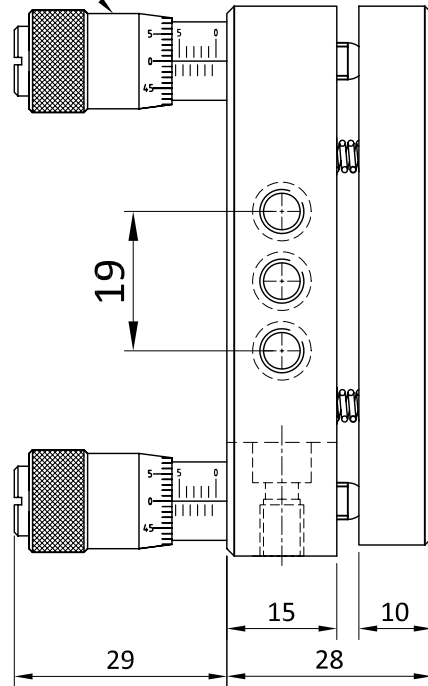
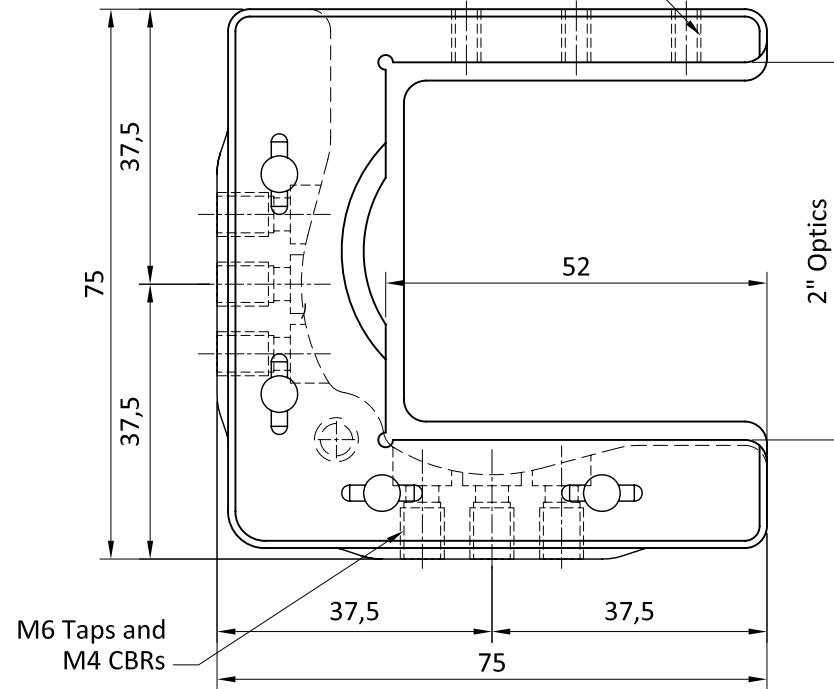


Micrometer - 3nos



Tipped Set Screws for Optics Holding



2" or 50mm optic mount

Model No:KMR-Mu-T-50

"INFORMATION ONLY NOT FOR MANUFACTURING"

ALL DIMENSIONS ARE IN MM
UNLESS OTHERWISE STATED

Scale : NA



HOLMARC
OPTO-MECHATRONICS PVT. LTD

Kinematic Mount For
Rectangular Optics

THIS INFORMATION IS CONFIDENTIAL AND PROPRIETARY TO HOLMARC . ITS WORLDWIDE SUBSIDIARIES AND/OR AFFILIATES.IT MAY NOT BE DISCLOSED TO ANYONE, OTHER THAN HOLMARC PERSONNEL, WITHOUT WRITTEN AUTHORIZATION FROM AN AUTHORIZED REPRESENTATIVE OF HOLMARC