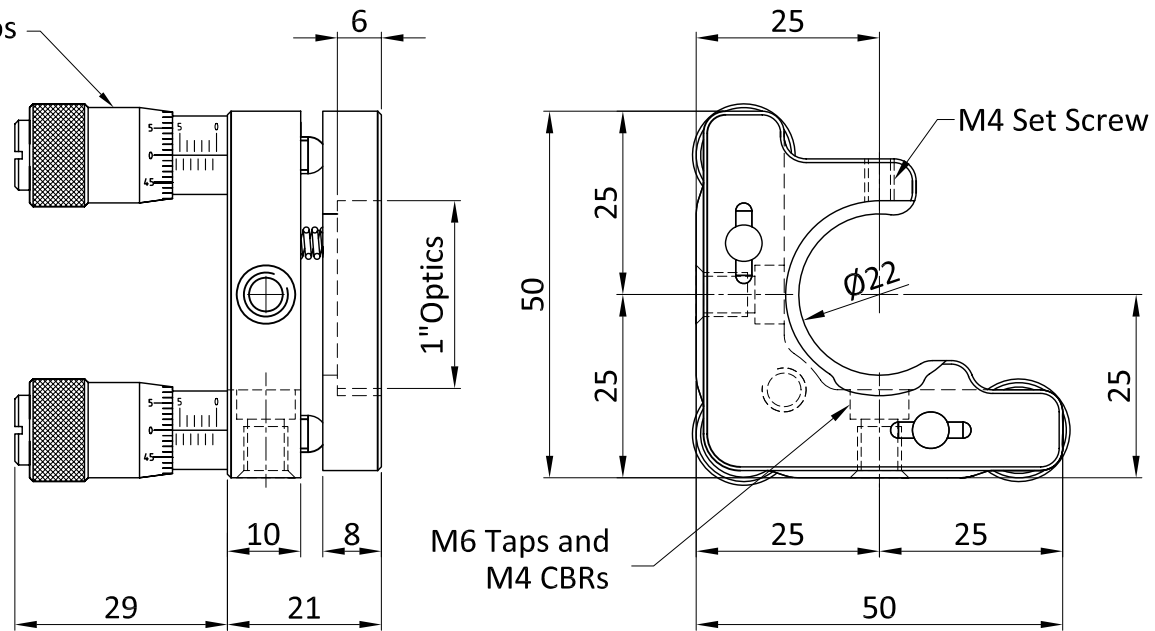


Micrometer - 2nos



1" or 25mm optic mount

Model No:BMX-Mu-T-25

"INFORMATION ONLY NOT FOR MANUFACTURING"

ALL DIMENSIONS ARE IN MM
UNLESS OTHERWISE STATED



HOLMARC
OPTO-MECHATRONICS PVT. LTD

Kinematic Mount With
Maximum Aperture

THIS INFORMATION IS CONFIDENTIAL AND PROPRIETARY
TO HOLMARC , ITS WORLDWIDE SUBSIDIARIES AND/OR
AFFILIATES.IT MAY NOT BE DISCLOSED TO ANYONE, OTHER
THAN HOLMARC PERSONNEL, WITHOUT WRITTEN
AUTHORIZATION FROM AN AUTHORIZED REPRESENTATIVE
OF HOLMARC