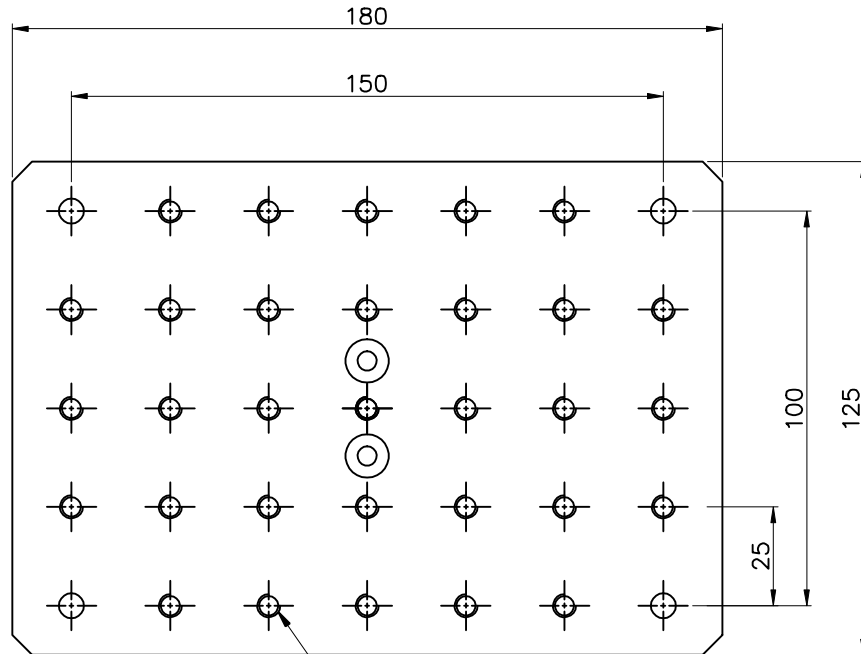
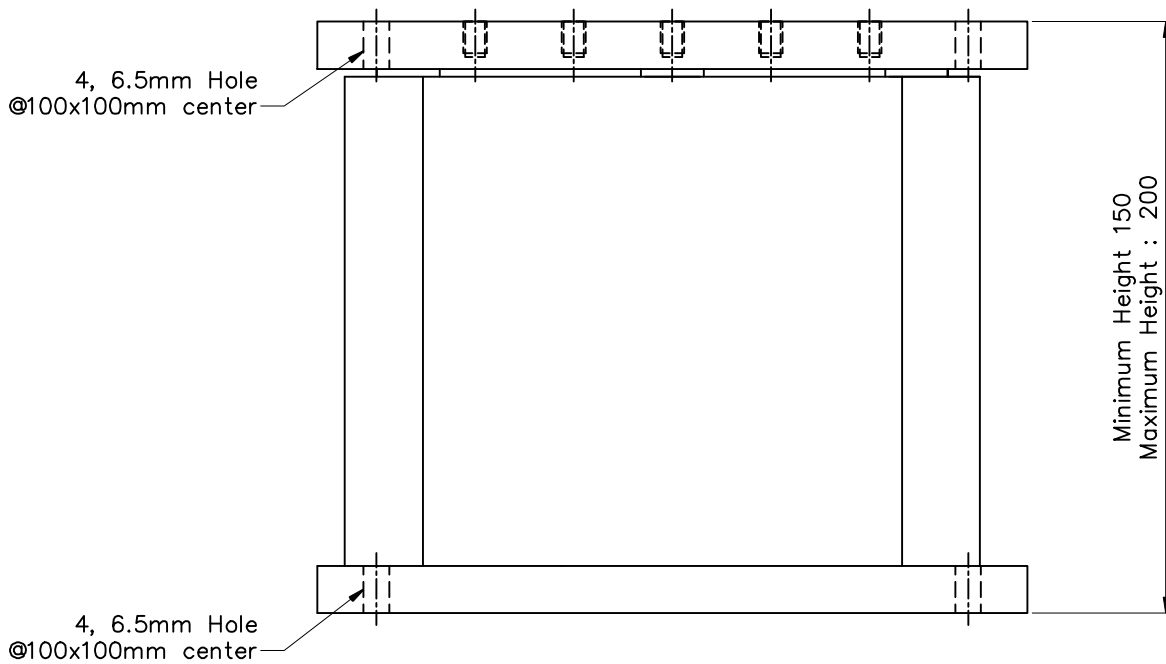


REV	DESCRIPTION	DATE
X	X	00/00/2018



M6 Tapped holes on 25mm grid



4, 6.5mm Hole
@100x100mm center

4, 6.5mm Hole
@100x100mm center

Minimum Height : 150
Maximum Height : 200

GEN- Tolerances				Drawn	Material	Quantity	Finish	Date	Scale	Page No.
Linear		Angular		SKS	Aluminum-6061	01	Anodised	30/10/2020	NA	01
X	±0.5	X°	±0.5°	Checked SKS	HOLMARC OPTO-MECHATRONICS (P) Ltd	Title Motorized Vertical stage		Drawing/ Model Number MVTS-125180-50		
X.X	±0.1	All dims are in mm								
X.XX	±0.02			Approved Emc	0	Assembly	0			
X.XXX	±0.005									