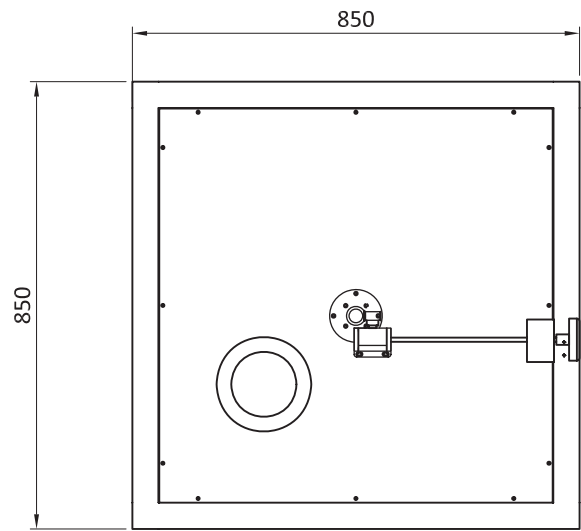

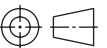


THIS INFORMATION IS CONFIDENTIAL AND PROPRIETARY TO HOLMARC , ITS
 WORLDWIDE SUBSIDIARIES AND/OR AFFILIATES. IT MAY NOT BE DISCLOSED
 TO ANYONE OTHER THAN HOLMARC PERSONNEL , WITHOUT WRITTEN
 AUTHORIZATION FROM AN AUTHORIZED REPRESENTATIVE OF HOLMARC



Unless Otherwise Specified All Dimensions are in MM	NAME	DATE	 HOLMARC OPTO-MECHATRONICS (P) Ltd Factory:- B-7 , H.M.T Industrial Estate, H.M.T (P.O), Kochi, India.	Office:- Edappally Toll, Kochi-24, India		
	DESIGN			Drawing No :- HO-TH-04FA		
▽8-25 , ▽▽1.6-8 , ▽▽▽0.025-1.6 , ▽▽▽▽<0.025 .	DRAWN	Midhun	16-05-2014	A4	Drawing Name :- FLAME ASSISTED SPRAY PYROLYSIS	Rev.
	CHECKED	Sreekumar	16-05-2014			
	APPROVED	Eby	16-05-2014	Scale:- 1:1		
Projection:-			Comments :-			

