

"INFORMATION ONLY, NOT FOR MANUFACTURING"

ALL DIMENSIONS ARE IN MM  
UNLESS OTHERWISE STATED



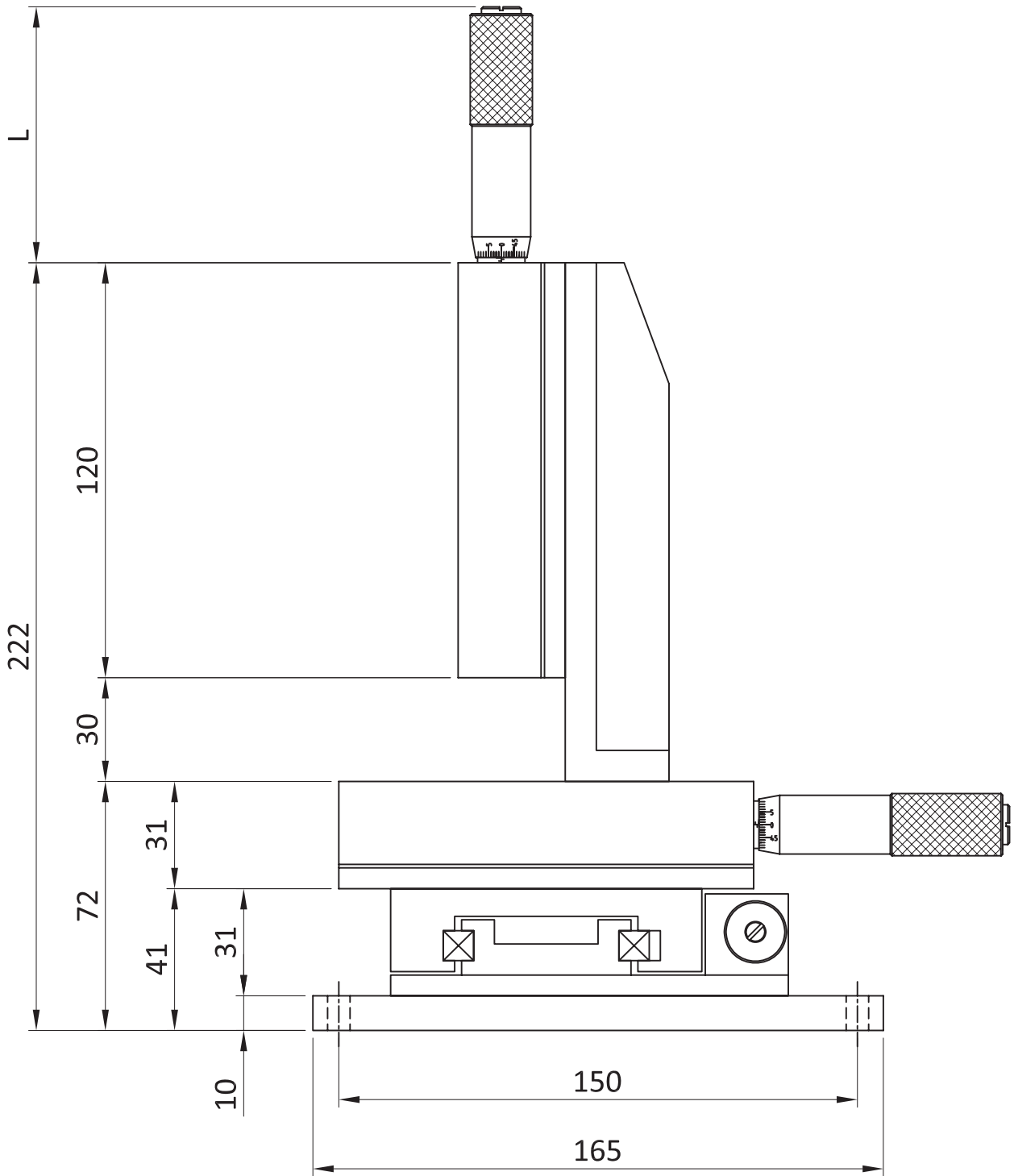
Scale : NA



**HOLMARC**  
OPTO-MECHATRONICS PVT. LTD

TS-120  
XY Configuration

THIS INFORMATION IS CONFIDENTIAL AND PROPRIETARY  
TO HOLMARC, ITS WORLDWIDE SUBSIDIARIES AND/OR AFFILIATES IT  
MAY NOT BE DISCLOSED TO ANYONE, OTHER THAN HOLMARC  
PERSONNEL, WITHOUT WRITTEN AUTHORIZATION FROM AN AUTHORIZED  
REPRESENTATIVE OF HOLMARC



"INFORMATION ONLY, NOT FOR MANUFACTURING"

ALL DIMENSIONS ARE IN MM  
UNLESS OTHERWISE STATED



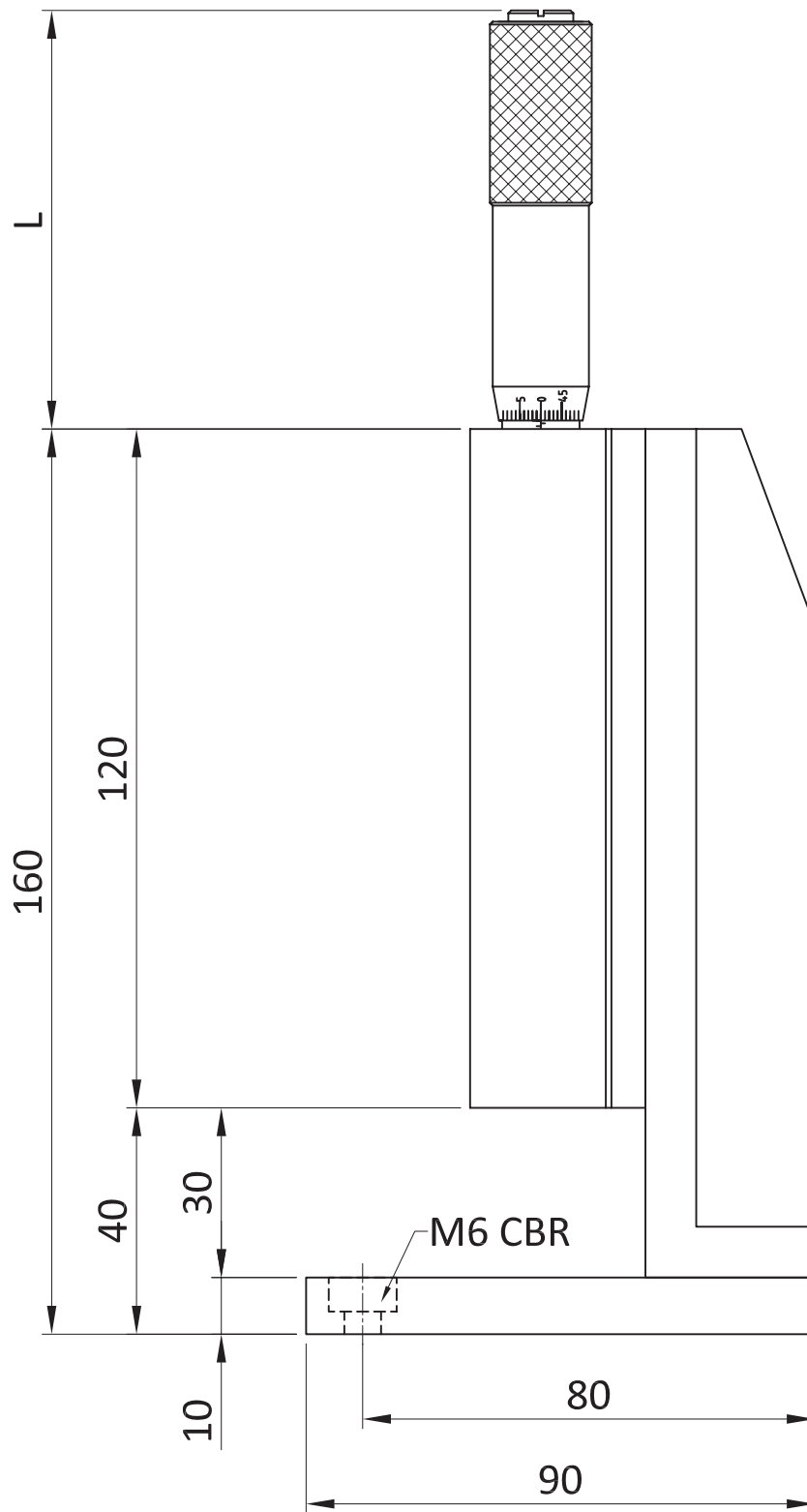
Scale : NA



**HOLMARC**  
OPTO-MECHATRONICS PVT. LTD

TS-120  
XYZ Configuration

THIS INFORMATION IS CONFIDENTIAL AND PROPRIETARY  
TO HOLMARC, ITS WORLDWIDE SUBSIDIARIES AND/OR AFFILIATES IT  
MAY NOT BE DISCLOSED TO ANYONE, OTHER THAN HOLMARC  
PERSONNEL, WITHOUT WRITTEN AUTHORIZATION FROM AN AUTHORIZED  
REPRESENTATIVE OF HOLMARC



"INFORMATION ONLY, NOT FOR MANUFACTURING"

ALL DIMENSIONS ARE IN MM  
UNLESS OTHERWISE STATED



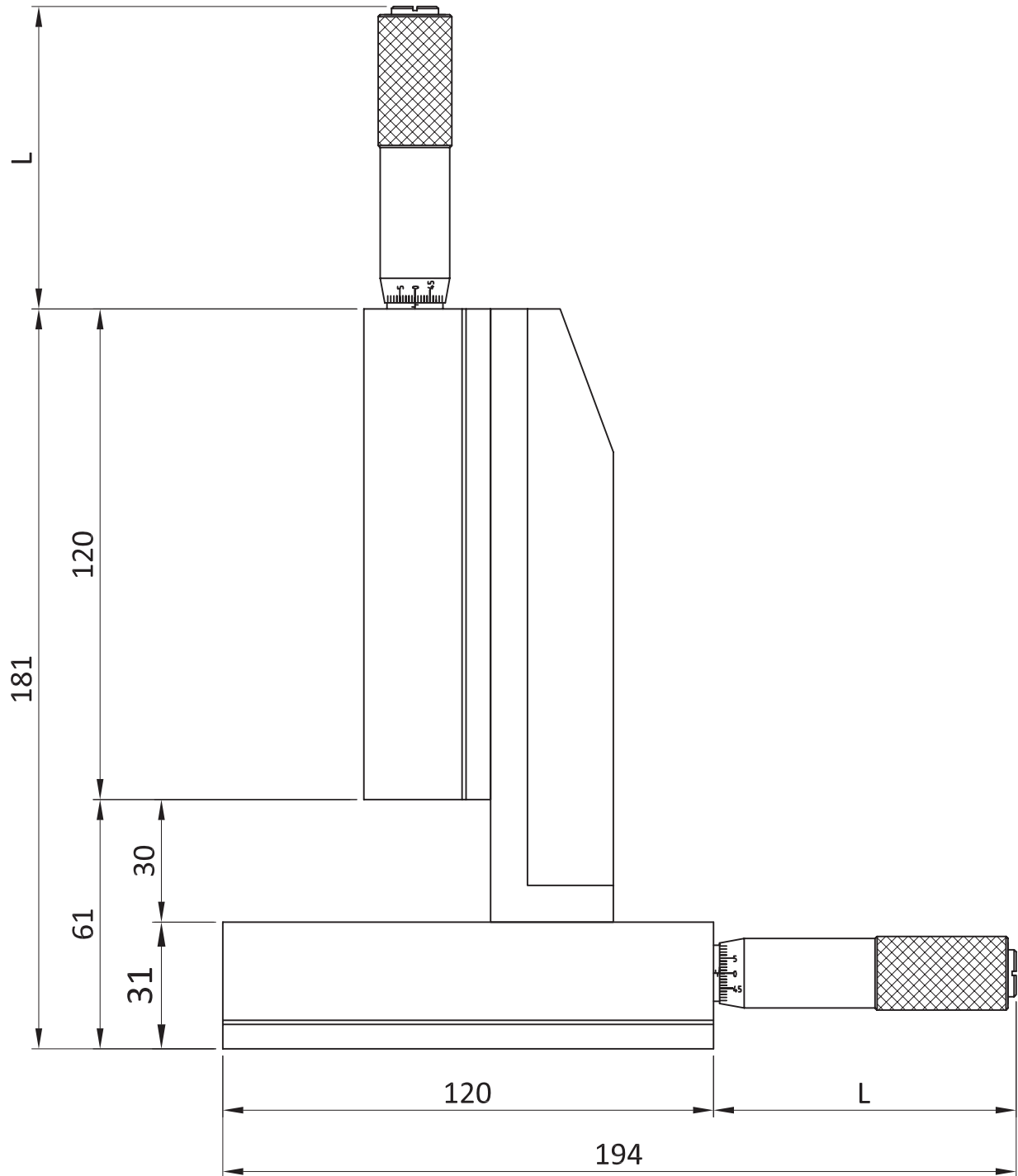
Scale : NA



**HOLMARC**  
OPTO-MECHATRONICS PVT. LTD

TS-120  
Z Configuration

THIS INFORMATION IS CONFIDENTIAL AND PROPRIETARY  
TO HOLMARC, ITS WORLDWIDE SUBSIDIARIES AND/OR AFFILIATES IT  
MAY NOT BE DISCLOSED TO ANYONE, OTHER THAN HOLMARC  
PERSONNEL, WITHOUT WRITTEN AUTHORIZATION FROM AN AUTHORIZED  
REPRESENTATIVE OF HOLMARC



"INFORMATION ONLY, NOT FOR MANUFACTURING"

ALL DIMENSIONS ARE IN MM  
UNLESS OTHERWISE STATED



Scale : NA



**HOLMARC**  
OPTO-MECHATRONICS PVT. LTD

TS-120  
XZ Configuration

THIS INFORMATION IS CONFIDENTIAL AND PROPRIETARY  
TO HOLMARC, ITS WORLDWIDE SUBSIDIARIES AND/OR AFFILIATES IT  
MAY NOT BE DISCLOSED TO ANYONE, OTHER THAN HOLMARC  
PERSONNEL, WITHOUT WRITTEN AUTHORIZATION FROM AN AUTHORIZED  
REPRESENTATIVE OF HOLMARC