

"INFORMATION ONLY, NOT FOR MANUFACTURING"

ALL DIMENSIONS ARE IN MM
UNLESS OTHERWISE STATED



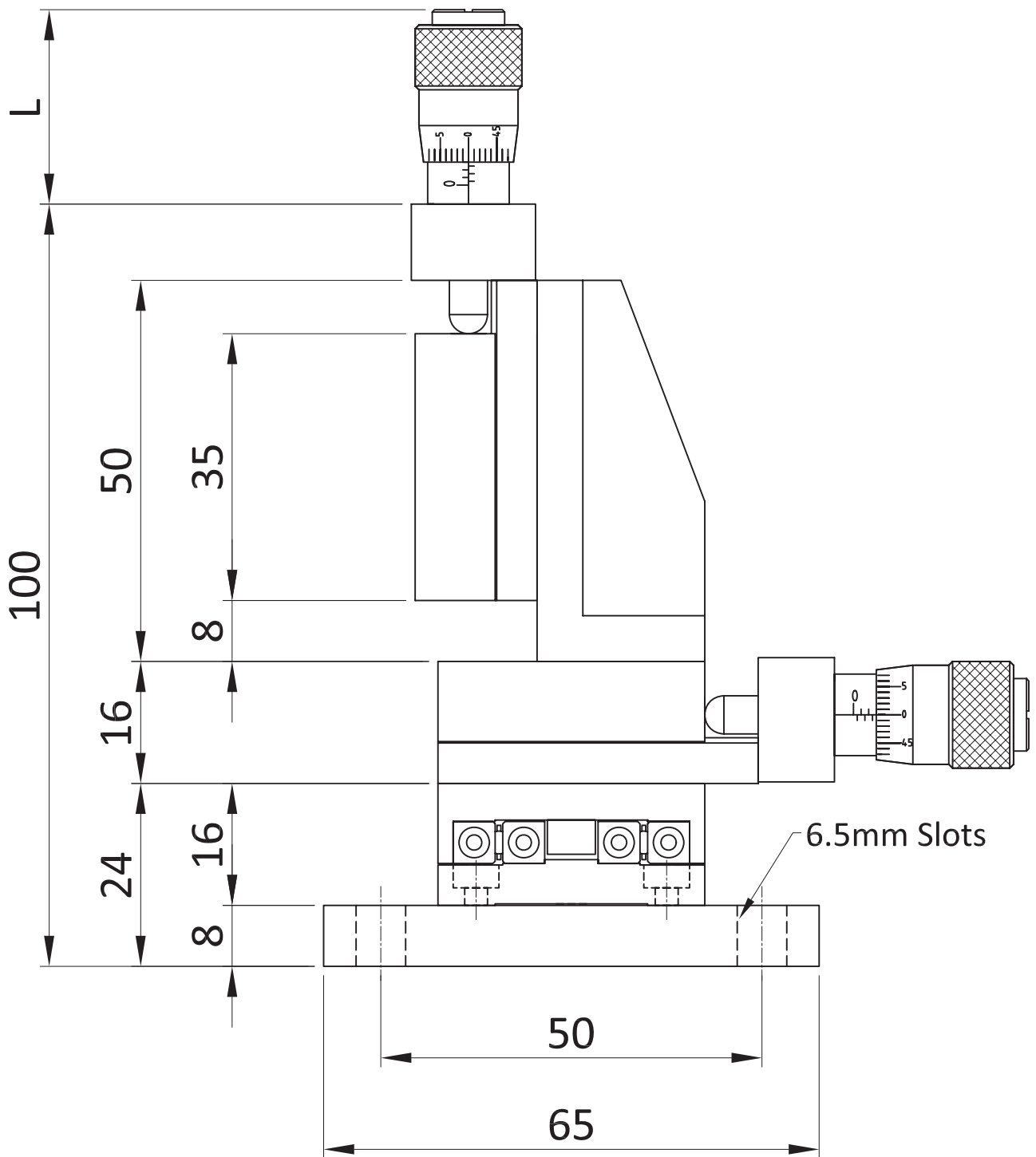
Scale : NA



HOLMARC
OPTO-MECHATRONICS PVT. LTD

TSV-35
XY Configuration

THIS INFORMATION IS CONFIDENTIAL AND PROPRIETARY
TO HOLMARC, ITS WORLDWIDE SUBSIDIARIES AND/OR AFFILIATES IT
MAY NOT BE DISCLOSED TO ANYONE, OTHER THAN HOLMARC
PERSONNEL, WITHOUT WRITTEN AUTHORIZATION FROM AN AUTHORIZED
REPRESENTATIVE OF HOLMARC



"INFORMATION ONLY, NOT FOR MANUFACTURING"

ALL DIMENSIONS ARE IN MM
UNLESS OTHERWISE STATED



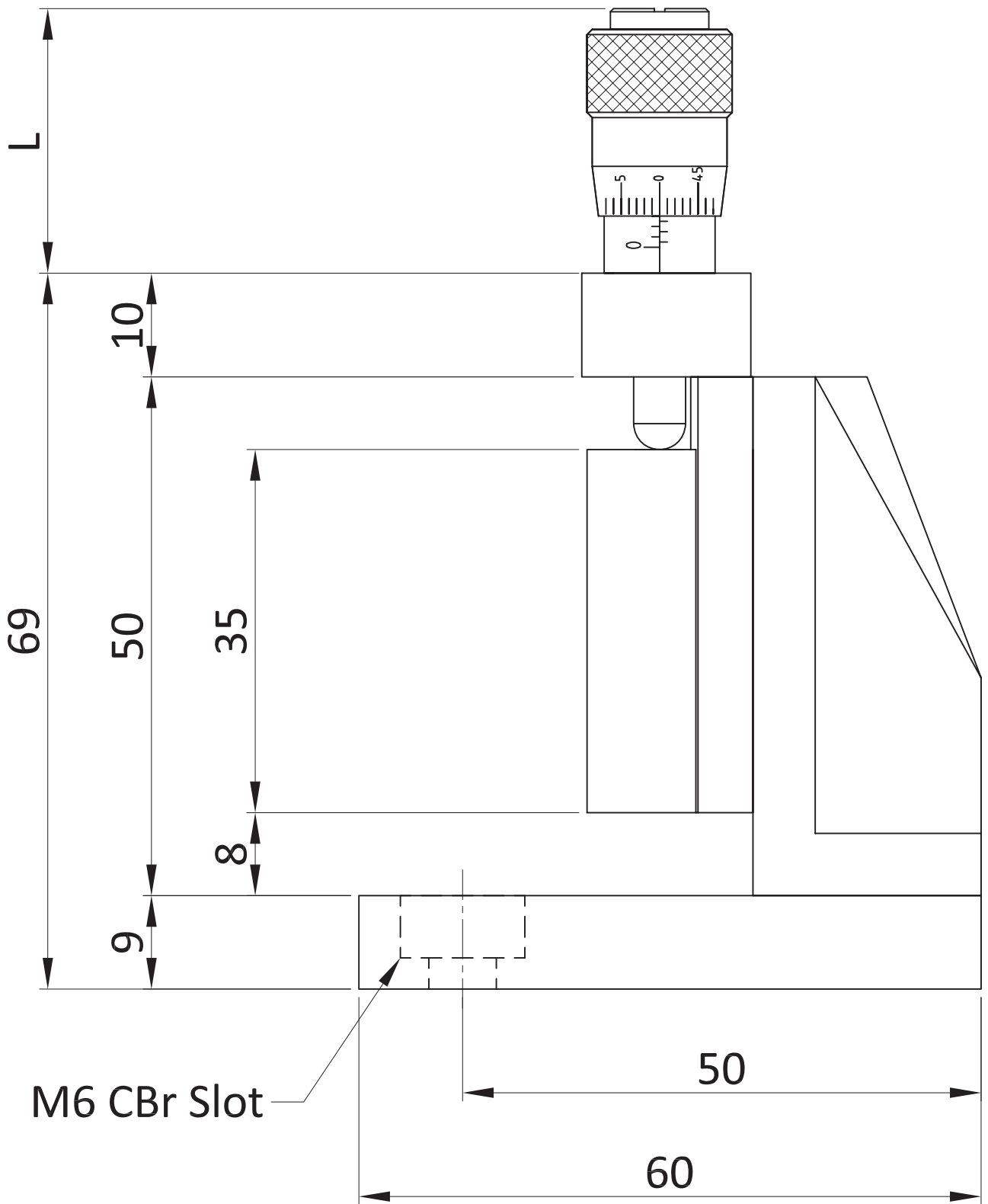
Scale : NA



HOLMARC
OPTO-MECHATRONICS PVT. LTD

TSV-35
XYZ Configuration

THIS INFORMATION IS CONFIDENTIAL AND PROPRIETARY
TO HOLMARC, ITS WORLDWIDE SUBSIDIARIES AND/OR AFFILIATES IT
MAY NOT BE DISCLOSED TO ANYONE, OTHER THAN HOLMARC
PERSONNEL, WITHOUT WRITTEN AUTHORIZATION FROM AN AUTHORIZED
REPRESENTATIVE OF HOLMARC



"INFORMATION ONLY, NOT FOR MANUFACTURING"

ALL DIMENSIONS ARE IN MM
UNLESS OTHERWISE STATED



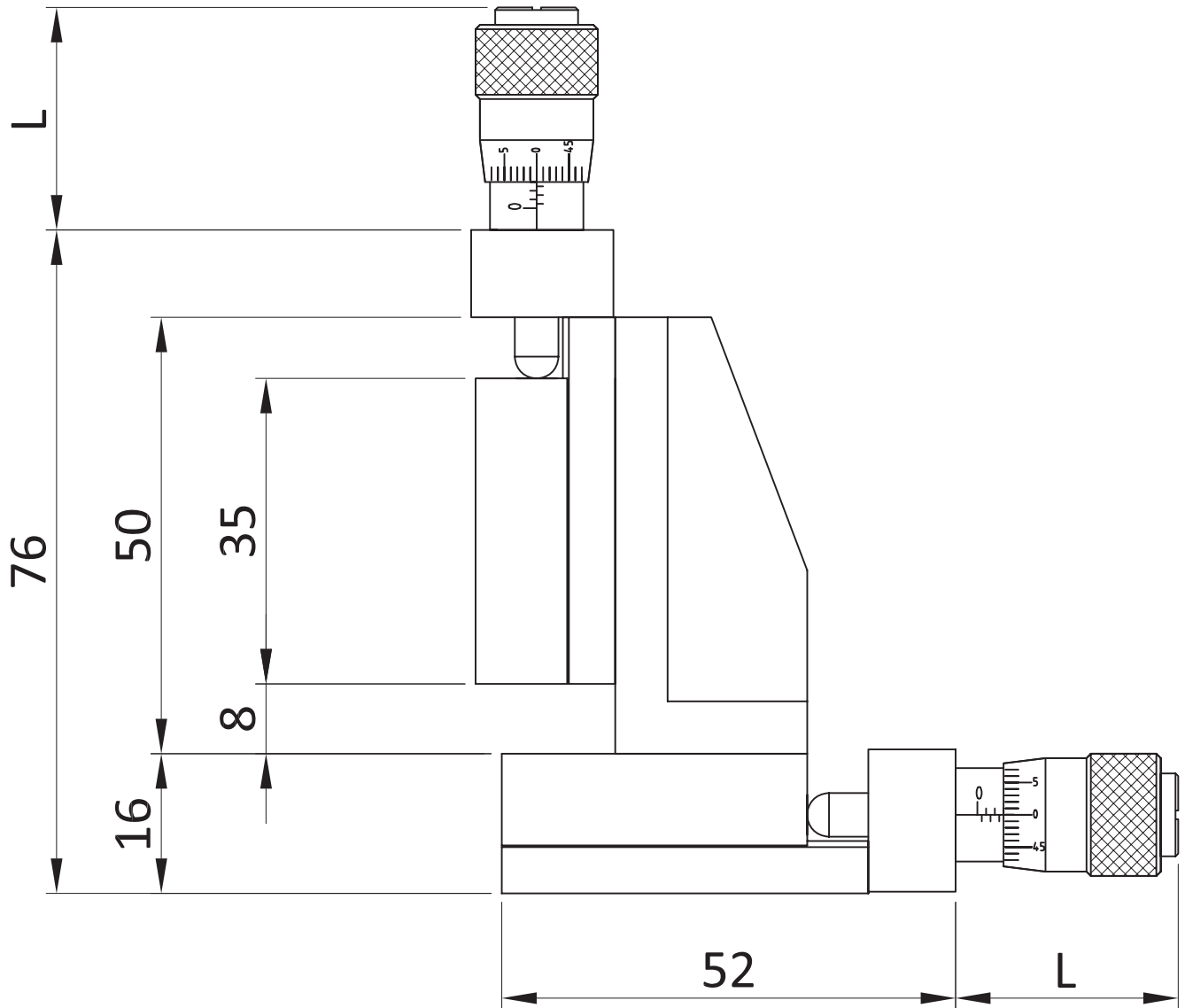
Scale : NA



HOLMARC
OPTO-MECHATRONICS PVT. LTD

TSV-35
Z Configuration

THIS INFORMATION IS CONFIDENTIAL AND PROPRIETARY
TO HOLMARC, ITS WORLDWIDE SUBSIDIARIES AND/OR AFFILIATES IT
MAY NOT BE DISCLOSED TO ANYONE, OTHER THAN HOLMARC
PERSONNEL, WITHOUT WRITTEN AUTHORIZATION FROM AN AUTHORIZED
REPRESENTATIVE OF HOLMARC



"INFORMATION ONLY, NOT FOR MANUFACTURING"

ALL DIMENSIONS ARE IN MM
UNLESS OTHERWISE STATED



Scale : NA



HOLMARC
OPTO-MECHATRONICS PVT. LTD.

TSV-35
XZ Configuration

THIS INFORMATION IS CONFIDENTIAL AND PROPRIETARY
TO HOLMARC, ITS WORLDWIDE SUBSIDIARIES AND/OR AFFILIATES IT
MAY NOT BE DISCLOSED TO ANYONE, OTHER THAN HOLMARC
PERSONNEL, WITHOUT WRITTEN AUTHORIZATION FROM AN AUTHORIZED
REPRESENTATIVE OF HOLMARC