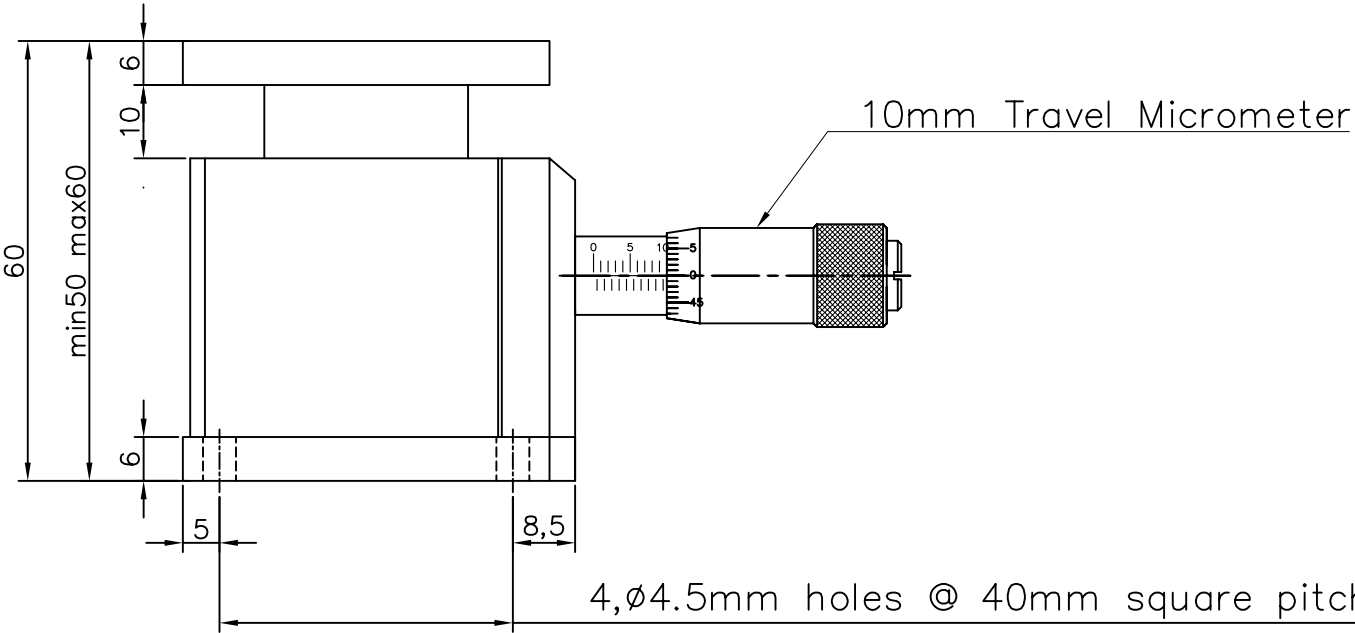
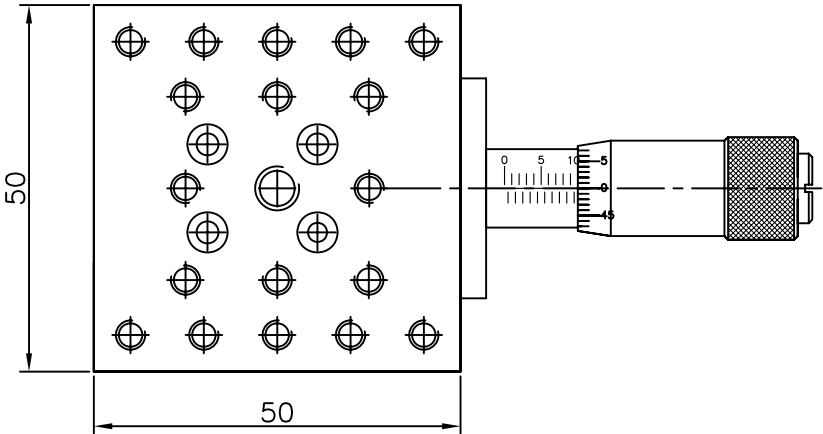





REV	DESCRIPTION	DATE
X	X	00/00/2018



GEN- Tolerances				Drawn	Material	Quantity	Finish	Date	Scale	Sheet No.
Linear		Angular		Ranju	Aluminium	01	Anodised	04/01/22	1:1	01
X	± 0.5	X°	$\pm 0.5^\circ$	Checked	 HOLMARC OPTO-MECHATRONICS (P) Ltd	Title				
X.X	± 0.1	All dims are in mm		Sijo						
X.XX	± 0.02	 		Approved		Part Number	Part Name	Drawing/ Model Number	Part Revision	
X.XXX	± 0.005			Eby			VTS-5-10Mu10	0		