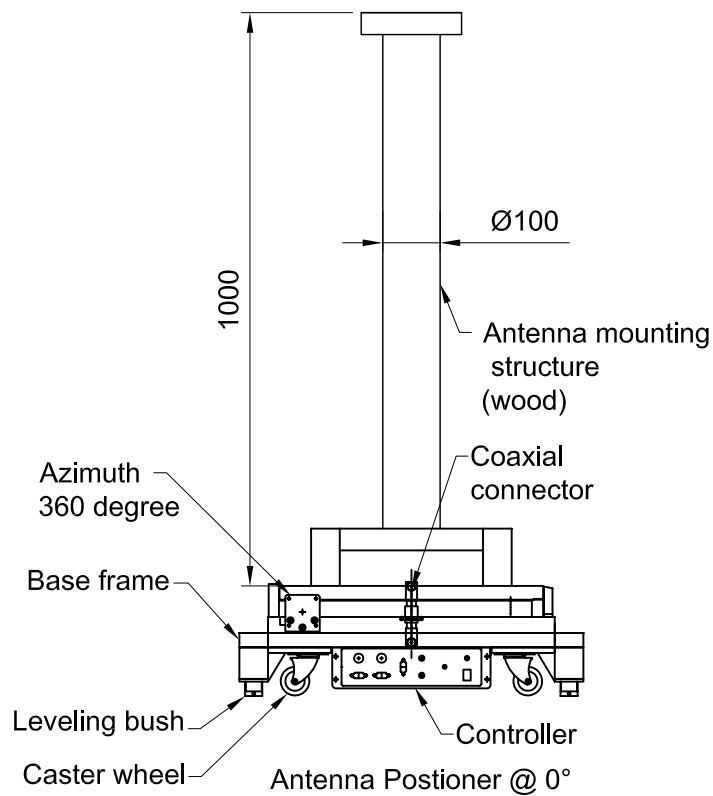


60SH86 Stepper Motor with encoder



∇ 8-25, ∇ 1.6-8,
 ∇ 0.025-1.6,
 ∇ <0.025.
 ALL DIMENSIONS
 ARE IN MM UNLESS
 OTHERWISE STATED



SCALE : NA

DRAWING / MODEL NO.

16 925 00

PAGE NO : 01



HOLMARC
OPTO-MECHATRONICS (P) Ltd

B-7, H.M.T Industrial Estate,
H.M.T (P.O.), Kochi, India.

Antenna Postioner