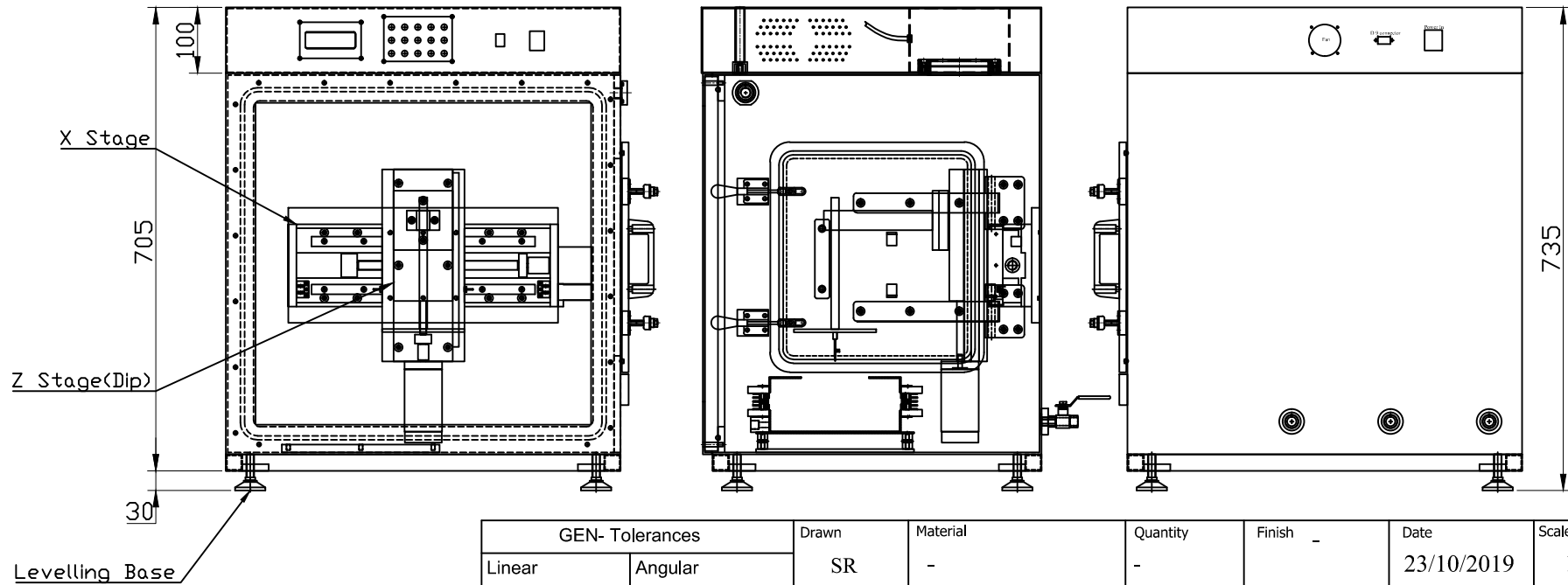
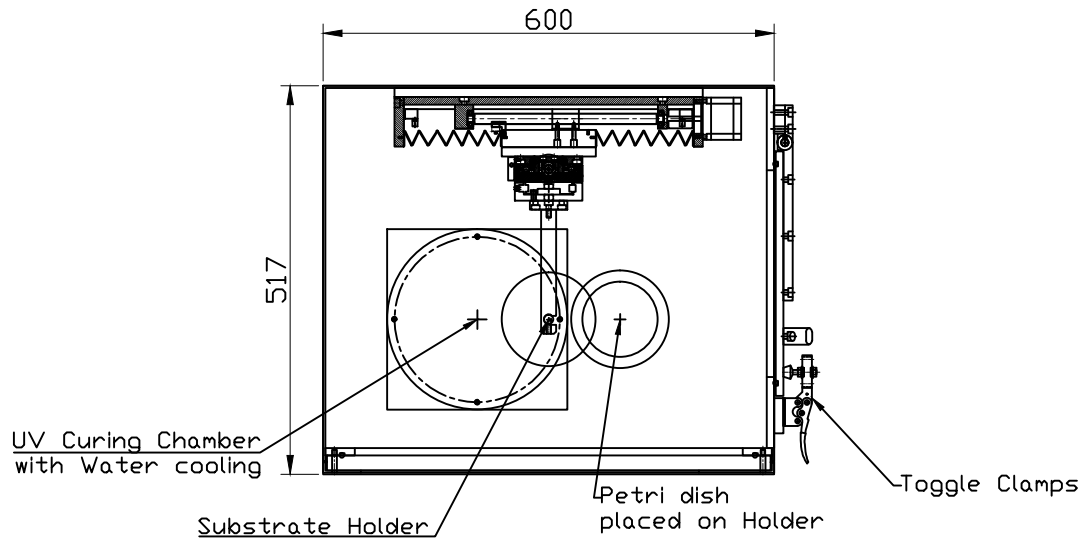


REV	DESCRIPTION	DATE
X	X	00/00/2018



GEN- Tolerances				Drawn	Material	Quantity	Finish	Date	Scale	Sheet Size		
Linear		Angular		SR	-	-	-	23/10/2019	1:1	A4		
X	±0.5	X°	±0.5°	Checked	HOLMARC OPTO-MECHATRONICS (P) Ltd	Title		Dip coating unit with UV curing				
X.X	±0.1	All		SK		Part Name						
X.XX	±0.02	dims		Approved		Part Number					Drawing/ Model Number	
X.XXX	±0.005	gre in mm		Emc		-					19 1151 00	
						Assembly		0				