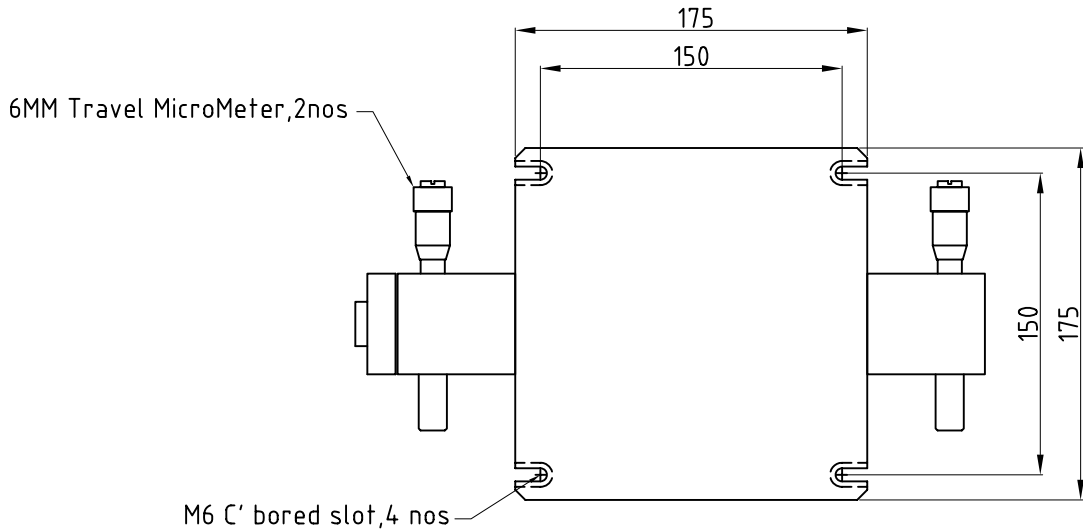
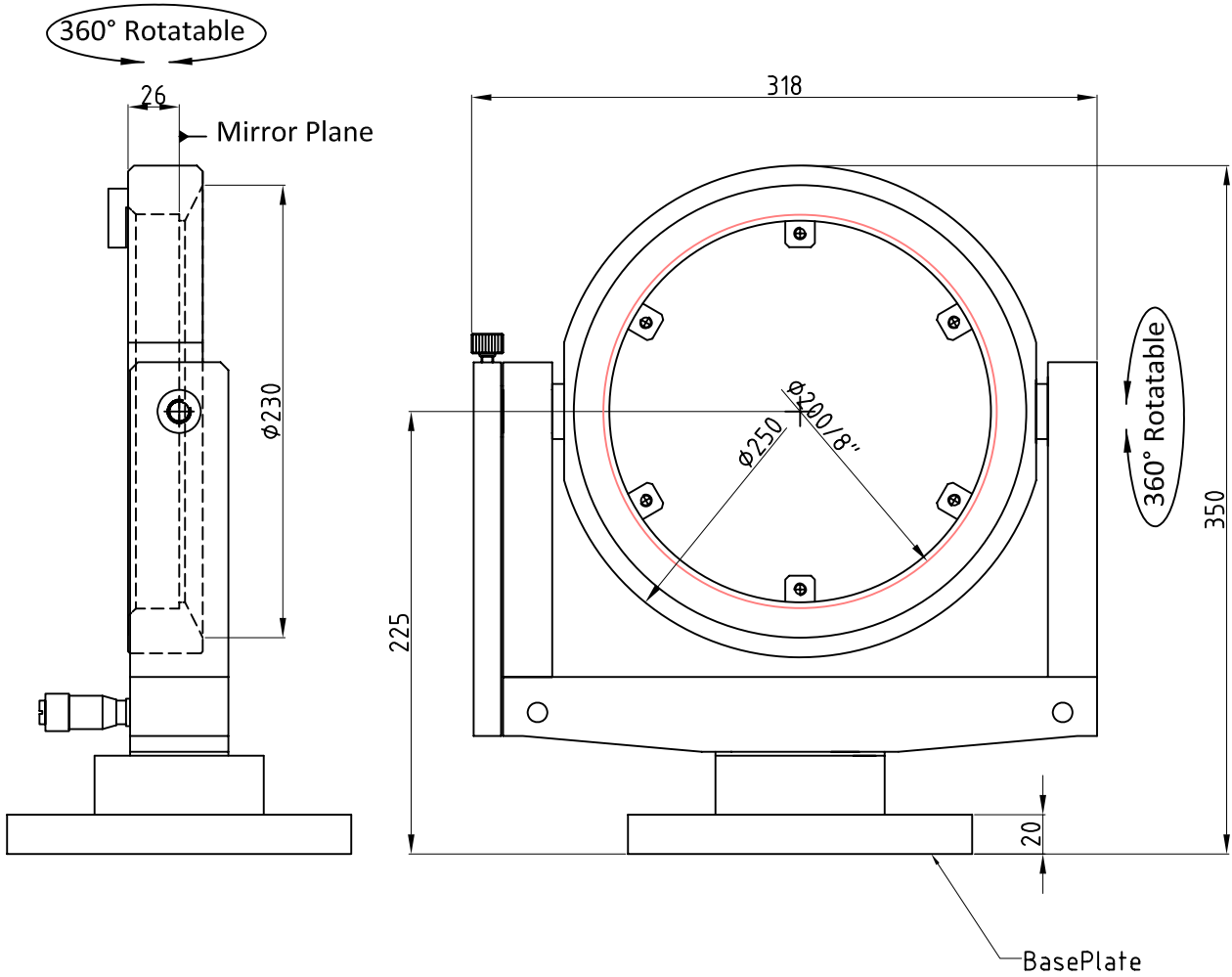


REV	DESCRIPTION	DATE
X	XXX	00/00/2018



GEN- Tolerances		Drawn	Material	Quantity	Finish	Date	Scale	Sheet Size
Linear	Angular	Nithin				17/03/2018	1:1	A4
X	±0.5	X°	±0.5°	Checked	HOLMARC OPTO-MECHATRONICS (P) Ltd		Title Gimbal mirror mount 200mm optics	
X.X	±0.1	All dims are in		vtv				
X.XX	±0.02	mm		Approved	Part Number	Part Name	Drawing/ Model Number	Part Revision
X.XXX	±0.005			Emc	00	Assembly	GMM-MU-200	0