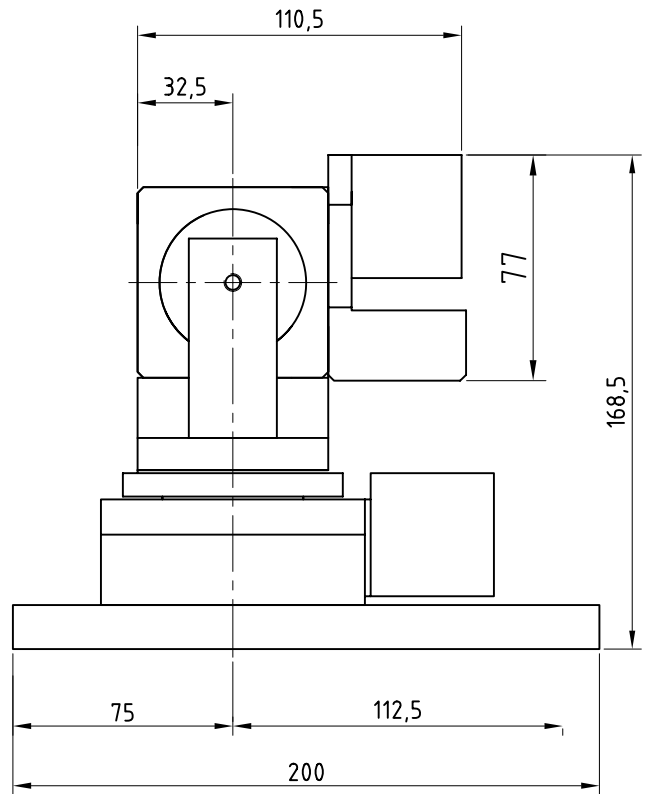
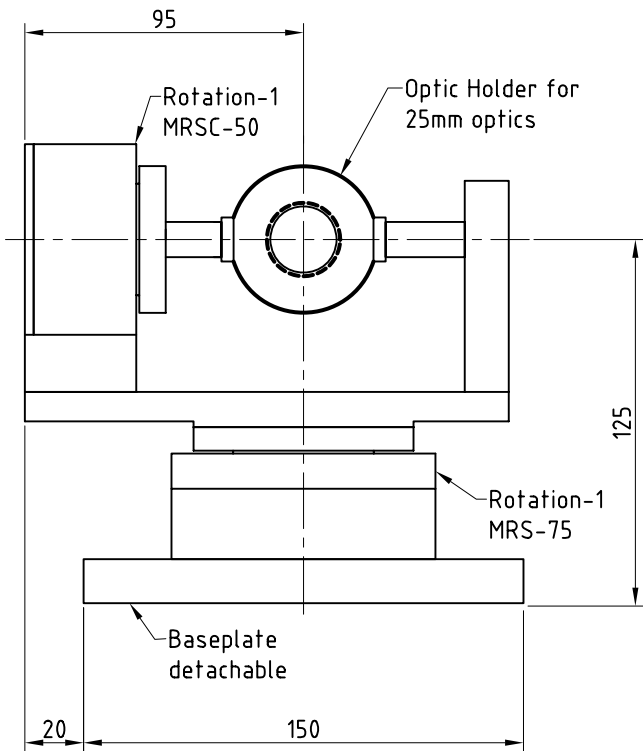
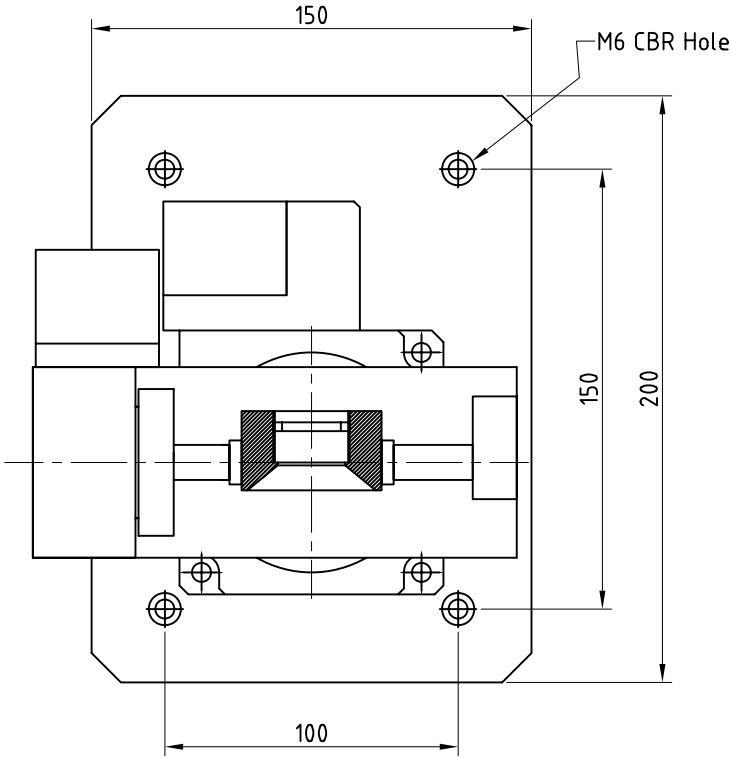





REV	DESCRIPTION	DATE
-	-	-



Gen -Tolerances				Designed by	Material	Quantity	Finish	Date	Size
Linear		Angular		PS	Aluminum 6061	01	STD	03-07-2020	-
X	±0.5	X°	±0.5°	Checked by VTV	 <b>HOLMARC</b> OPTO-MECHATRONICS (P) Ltd	Title <b>Motorised Gymbal Mirror Mount</b>			
X.X	±0.1	All Dims are in MM							
X.XX	±0.02	 		Approved by	Part Number	Part Name	Drawing/ Model Number	Part Revision	
X.XXX	±0.005			EMC	-	<b>Assembly</b>	MO-GMM-25	<b>0</b>	