

"FOR INFORMATION ONLY
NOT FOR MANUFACTURING"

THIS INFORMATION IS CONFIDENTIAL
AND PROPRIETARY TO HOLMARC,
ITS WORLDWIDE SUBSIDIARIES
AND/OR AFFILIATES. IT MAY NOT BE
DISCLOSED TO ANYONE,
OTHER THAN HOLMARC PERSONNEL,
WITHOUT WRITTEN AUTHORIZATION
FROM AN AUTHORIZED
REPRESENTATIVE OF HOLMARC

HOLMARC
OPTO-MECHATRONICS (P) Ltd

B-7, H.M.T Industrial Estate,
H.M.T (P.O), Kochi, India.

ALL DIMENSIONS
ARE IN MM UNLESS
OTHERWISE STATED

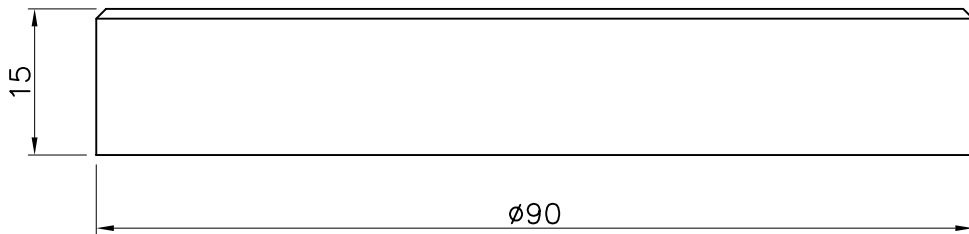
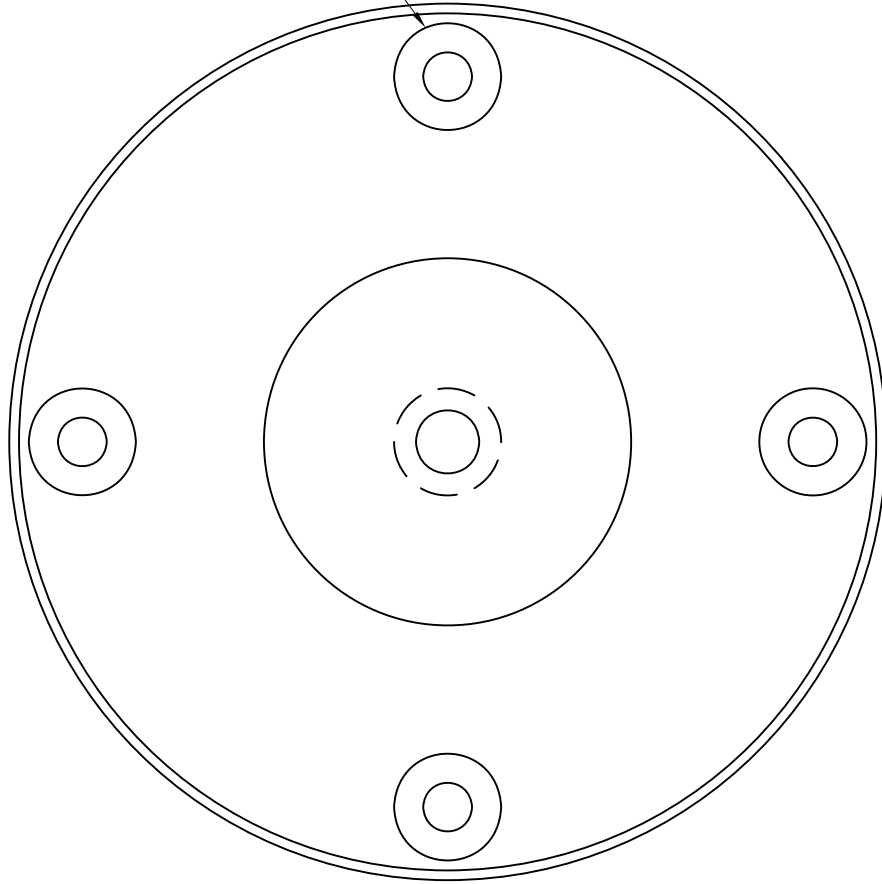


SCALE : NA

HD-SQ90



M6 C-bore holes



"FOR INFORMATION ONLY
NOT FOR MANUFACTURING"

THIS INFORMATION IS CONFIDENTIAL
AND PROPRIETARY TO HOLMARC .
ITS WORLDWIDE SUBSIDIARIES
AND/OR AFFILIATES. IT MAY NOT BE
DISCLOSED TO ANYONE,
OTHER THAN HOLMARC PERSONNEL,
WITHOUT WRITTEN AUTHORIZATION
FROM AN AUTHORIZED
REPRESENTATIVE OF HOLMARC

HOLMARC
OPTO-MECHATRONICS (P) Ltd

B-7, H.M.T Industrial Estate,
H.M.T (P.O), Kochi, India.

ALL DIMENSIONS
ARE IN MM UNLESS
OTHERWISE STATED



SCALE : NA

HD-R90