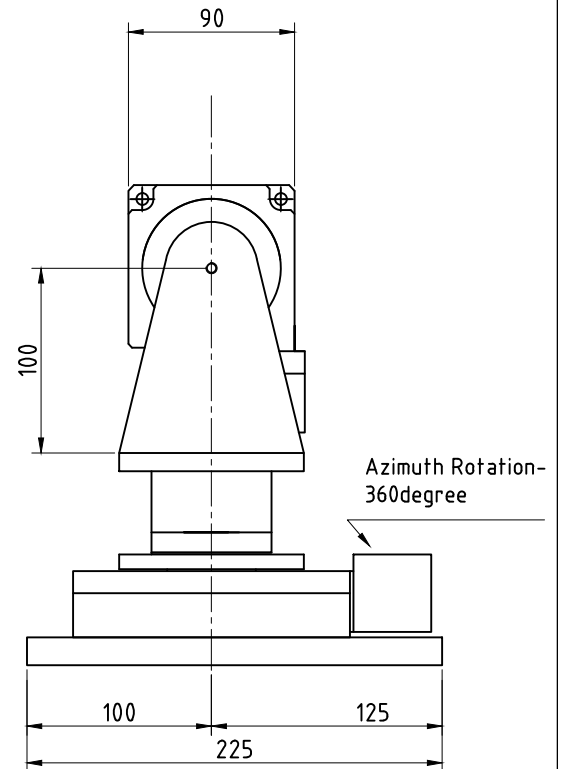
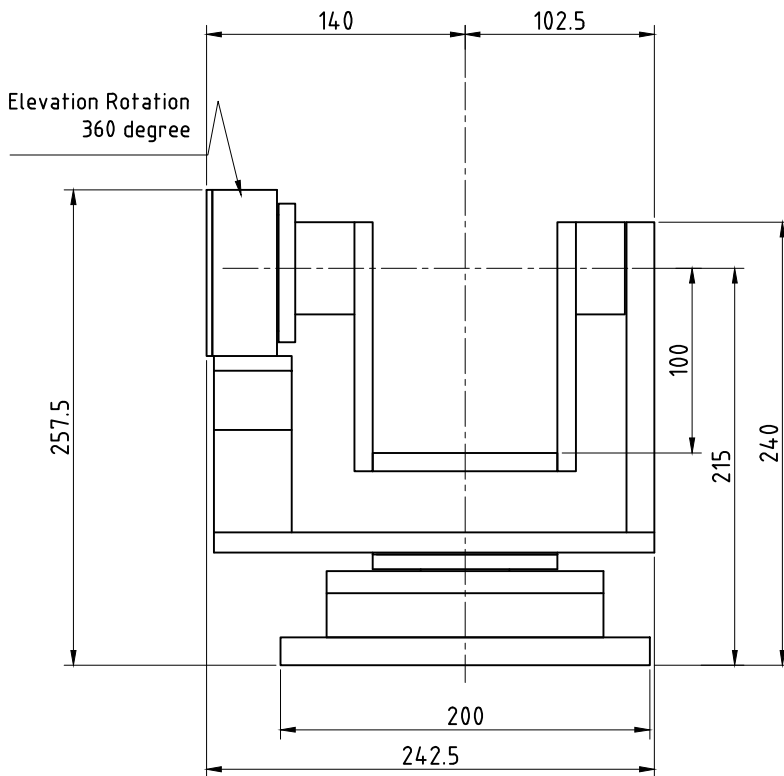
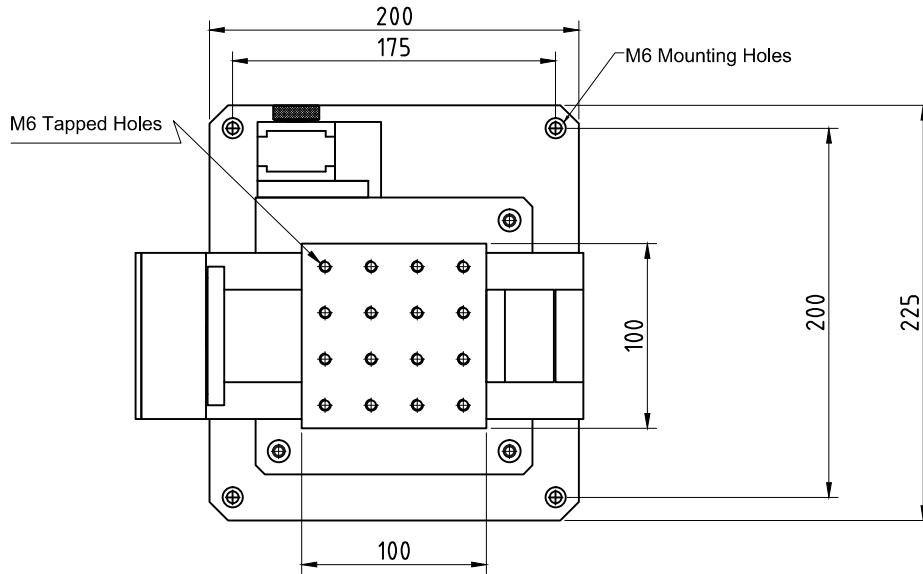


REV	DESCRIPTION	DATE
X	XXX	00/00/2018



GEN- Tolerances				Drawn	Material	Quantity	Finish	Date	Scale	Page No.
Linear		Angular		Karthik		01		20/04/2021	NA	02
X	±0.5	X°	±0.5°	Checked	HOLMARC OPTO-MECHATRONICS (P) Ltd	Title Motorised 2 Axis Gimbal Stage : 100x100x100				
X.X	±0.1	All dims are		Pramod						
X.XX	±0.02	in mm		Approved		Part Number	Part Name	Drawing/ Model Number	Part Revision	
X.XXX	±0.005			Emc	01	Assembly	PRO 21 1202 00	0		