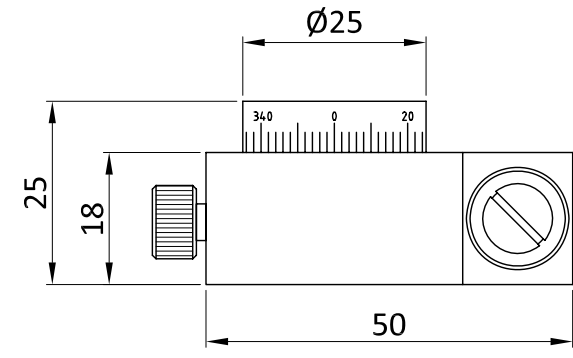
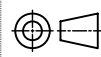



Model No: RS-25 or SS



"INFORMATION ONLY NOT FOR MANUFACTURING"

<p>ALL DIMENSIONS ARE IN MM UNLESS OTHERWISE STATED</p>	 Scale : NA	 <p>HOLMARC OPTO-MECHATRONICS PVT. LTD</p>
<p>Rotation Stages</p>		<p>THIS INFORMATION IS CONFIDENTIAL AND PROPRIETARY TO HOLMARC , ITS WORLDWIDE SUBSIDIARIES AND/OR AFFILIATES.IT MAY NOT BE DISCLOSED TO ANYONE, OTHER THAN HOLMARC PERSONNEL, WITHOUT WRITTEN AUTHORIZATION FROM AN AUTHORIZED REPRESENTATIVE OF HOLMARC</p>