
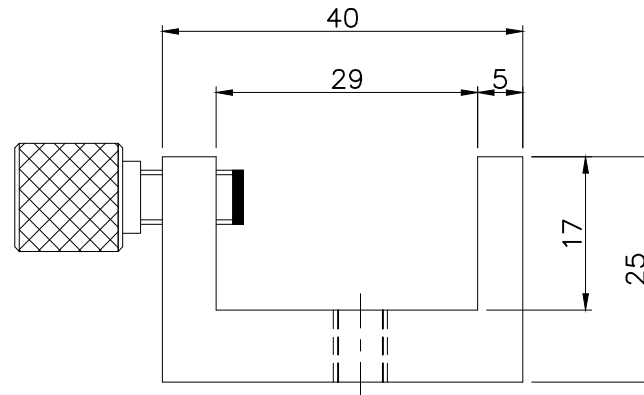
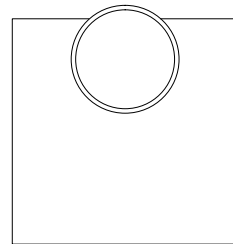
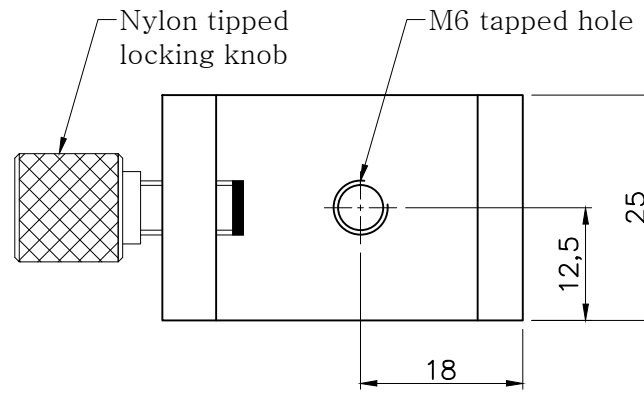


*FOR INFORMATION ONLY NOT FOR MANUFACTURING*	THIS INFORMATION IS CONFIDENTIAL AND PROPRIETARY TO HOLMARC. ITS WORLDWIDE SUBSIDIARIES AND/OR AFFILIATES, IT MAY NOT BE DISCLOSED TO ANYONE, OTHER THAN HOLMARC PERSONNEL, WITHOUT WRITTEN AUTHORIZATION FROM AN AUTHORIZED REPRESENTATIVE OF HOLMARC	<b>HOLMARC</b> OPTO-MECHATRONICS (P) Ltd B-7, H.M.T Industrial Estate, H.M.T (P.O), Kochi, India.
	ALL DIMENSIONS ARE IN MM UNLESS OTHERWISE STATED	 SCALE : NA



"FOR INFORMATION ONLY  
NOT FOR MANUFACTURING"

THIS INFORMATION IS CONFIDENTIAL  
AND PROPRIETARY TO HOLMARC.  
ITS WORLDWIDE SUBSIDIARIES  
AND/OR AFFILIATES, IT MAY NOT BE  
DISCLOSED TO ANYONE,  
OTHER THAN HOLMARC PERSONNEL,  
WITHOUT WRITTEN AUTHORIZATION  
FROM AN AUTHORIZED  
REPRESENTATIVE OF HOLMARC

ALL DIMENSIONS  
ARE IN MM UNLESS  
OTHERWISE STATED

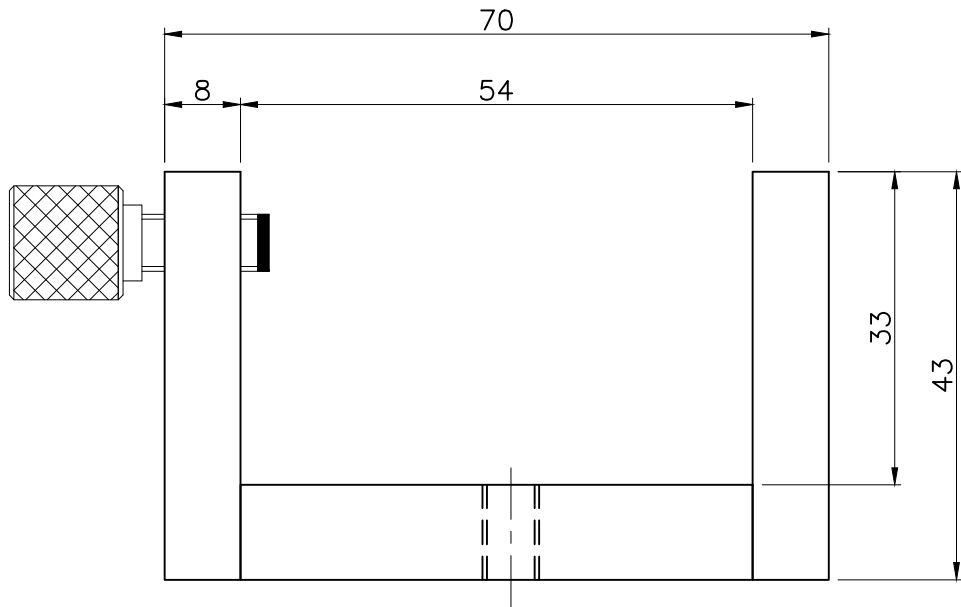
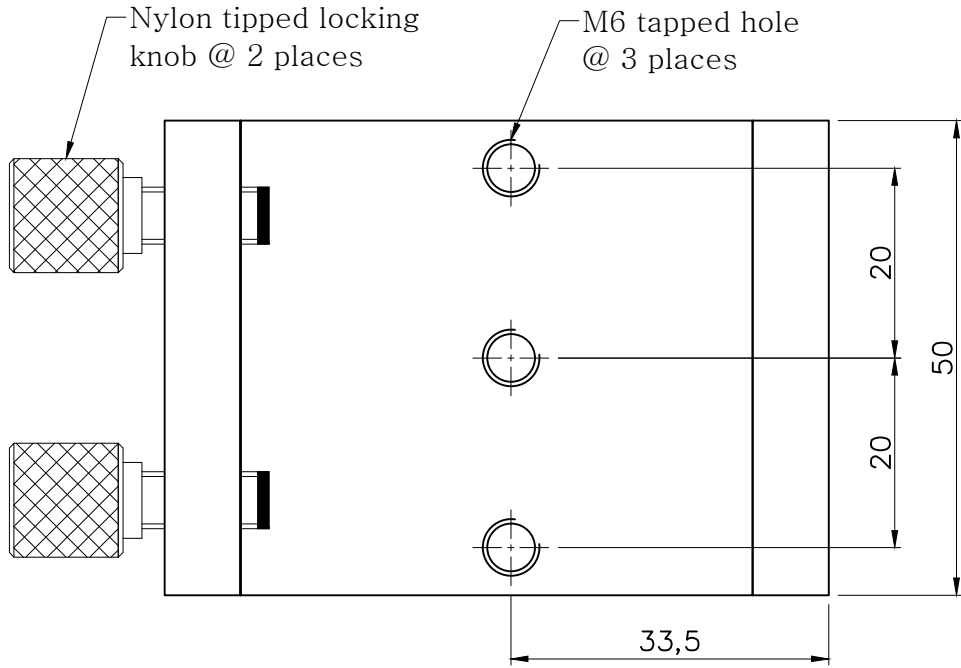


SCALE : NA

**HOLMARC**  
OPTO-MECHATRONICS (P) Ltd

B-7, H.M.T Industrial Estate,  
H.M.T (P.O), Kochi, India.

C-Type Clamp(C-TC-25)



\*FOR INFORMATION ONLY  
NOT FOR MANUFACTURING\*

THIS INFORMATION IS CONFIDENTIAL  
AND PROPRIETARY TO HOLMARC,  
ITS WORLDWIDE SUBSIDIARIES  
AND/OR AFFILIATES. IT MAY NOT BE  
DISCLOSED TO ANYONE,  
OTHER THAN HOLMARC PERSONNEL,  
WITHOUT WRITTEN AUTHORIZATION  
FROM AN AUTHORIZED  
REPRESENTATIVE OF HOLMARC

ALL DIMENSIONS  
ARE IN MM UNLESS  
OTHERWISE STATED



SCALE : NA

**HOLMARC**

OPTO-MECHATRONICS (P) Ltd

B-7, H.M.T Industrial Estate,  
H.M.T (P.O), Kochi, India.

C-Type Clamp (C-TC-50)