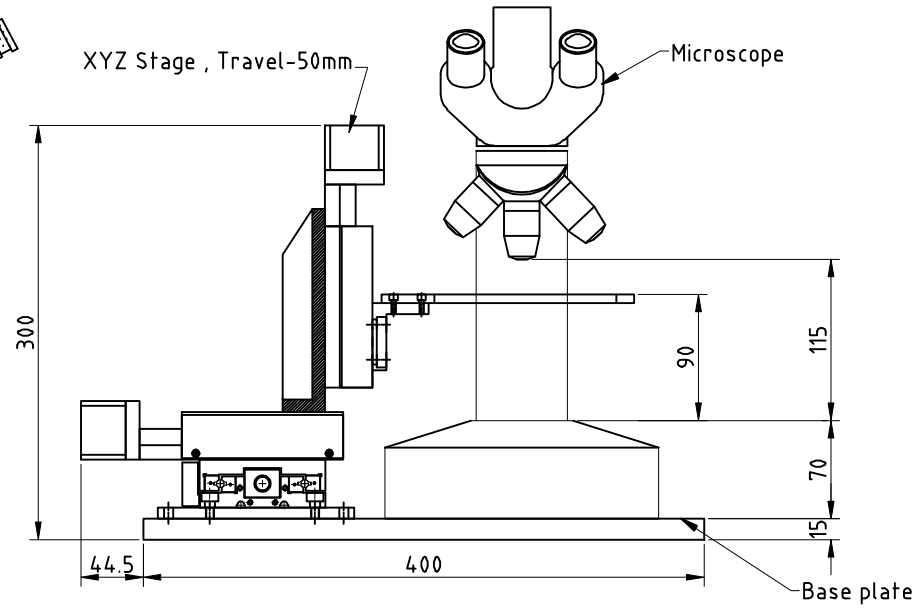
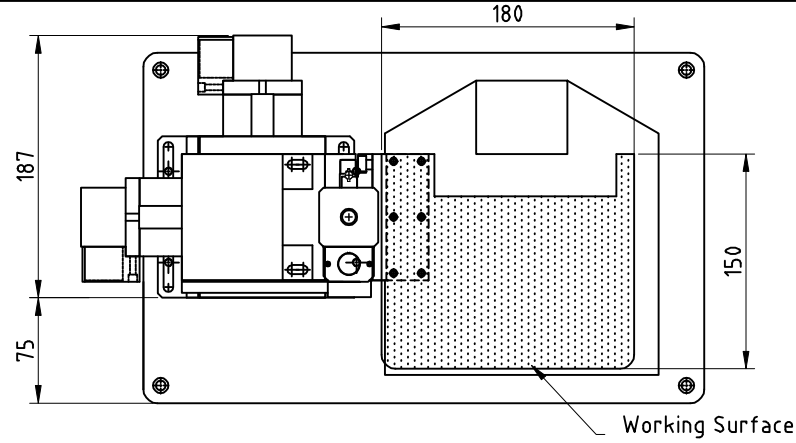
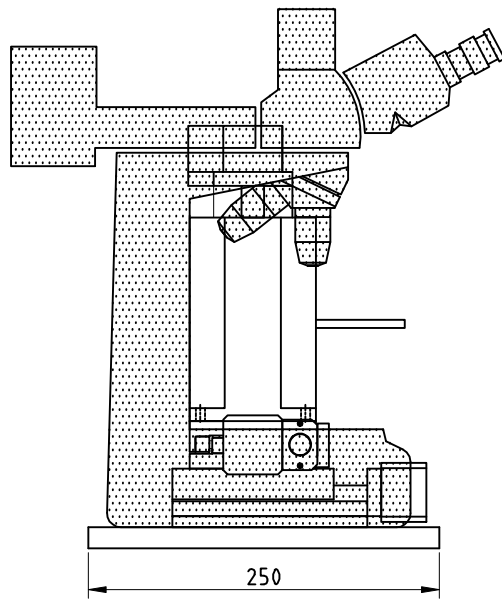

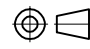


THIS INFORMATION IS CONFIDENTIAL AND PROPRIETARY TO HOLMARC, ITS WORLDWIDE SUBSIDIARIES AND/OR AFFILIATES. IT MAY NOT BE DISCLOSED TO ANYONE, OTHER THAN HOLMARC PERSONNEL, WITHOUT WRITTEN AUTHORIZATION FROM AN AUTHORIZED REPRESENTATIVE OF HOLMARC



Unless Otherwise Specified All Dimensions are in MM		NAME	DATE	 HOLMARC OPTO-MECHATRONICS (P) Ltd		
▽8-25,		DESIGN	Sijo	01-10-2015	Factory:- B-7, H.M.T Industrial Estate, H.M.T (P.O), Kochi, India.	
▽▽1.6-8,		DRAWN	Sijo	01-10-2015		Office:- Edappally Toll, Kochi-24, India
▽▽▽0.025-1.6,		CHECKED	Sroekumar	01-10-2015	Drawing No :-15 788 00	
▽▽▽▽<0.025.		APPROVED	Eby	01-10-2015	A4	Drawing Name :- XYZ Motorized Stage For C P Microscope
Projection:-		Comments :-				Scale:- 1:1
					Rev.	