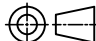

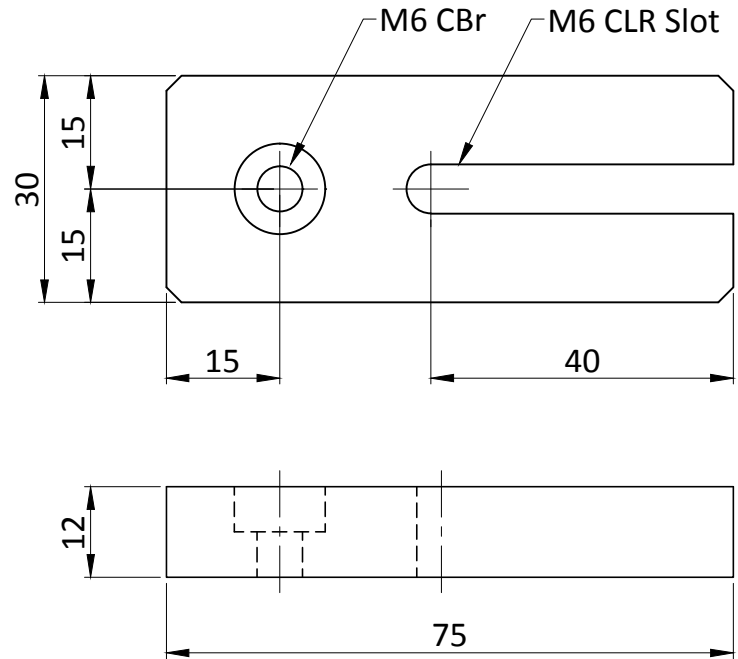


Model No:	Type	Suitable Post Series	Size (mm)
PB - 6525	U -Type	12	65 x 25 x 9
MPB - 6525	U -Type	12	65 x 25 x 9

"INFORMATION ONLY NOT FOR MANUFACTURING"

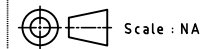
ALL DIMENSIONS ARE IN MM UNLESS OTHERWISE STATED	 Scale : NA	 HOLMARC OPTO-MECHATRONICS PVT. LTD
Post Bases		<small>THIS INFORMATION IS CONFIDENTIAL AND PROPRIETARY TO HOLMARC , ITS WORLDWIDE SUBSIDIARIES AND/OR AFFILIATES.IT MAY NOT BE DISCLOSED TO ANYONE, OTHER THAN HOLMARC PERSONNEL, WITHOUT WRITTEN AUTHORIZATION FROM AN AUTHORIZED REPRESENTATIVE OF HOLMARC</small>



Model No:	Type	Suitable Post Series	Size (mm)
PB - 7530	U -Type	12 & 16	75 x 30 x 9
MPB - 7530	U -Type	12 & 16	75 x 30 x 9

"INFORMATION ONLY NOT FOR MANUFACTURING"

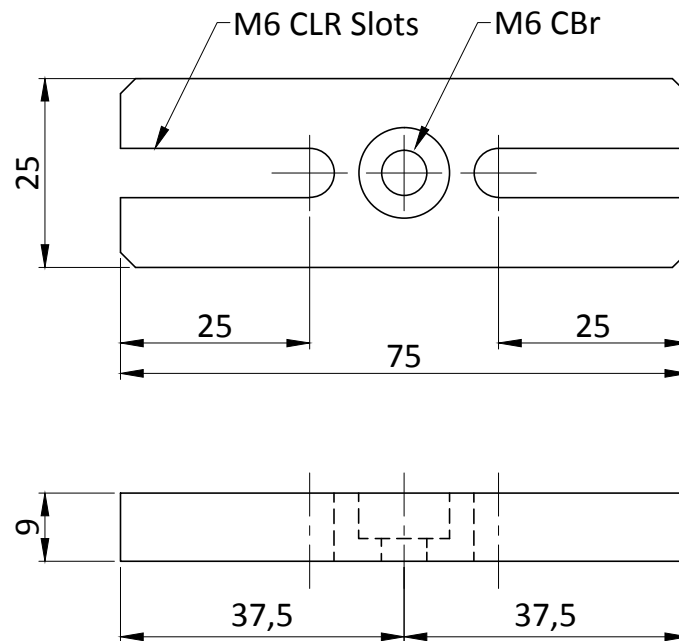
ALL DIMENSIONS ARE IN MM
UNLESS OTHERWISE STATED



HOLMARC
OPTO-MECHATRONICS PVT. LTD

Post Bases

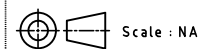
THIS INFORMATION IS CONFIDENTIAL AND PROPRIETARY TO HOLMARC , ITS WORLDWIDE SUBSIDIARIES AND/OR AFFILIATES.IT MAY NOT BE DISCLOSED TO ANYONE, OTHER THAN HOLMARC PERSONNEL, WITHOUT WRITTEN AUTHORIZATION FROM AN AUTHORIZED REPRESENTATIVE OF HOLMARC



Model No:	Type	Suitable Post Series	Size (mm)
PB - 7525	H-Type	12	75 x 25 x 9
MPB - 7525	H-Type	12	75 x 25 x 9

"INFORMATION ONLY NOT FOR MANUFACTURING"

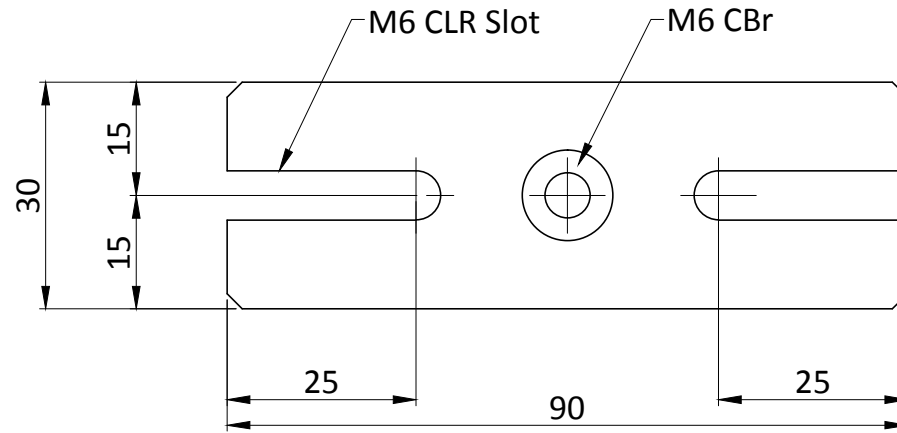
ALL DIMENSIONS ARE IN MM
UNLESS OTHERWISE STATED



HOLMARC
OPTO-MECHATRONICS PVT. LTD



Post Bases

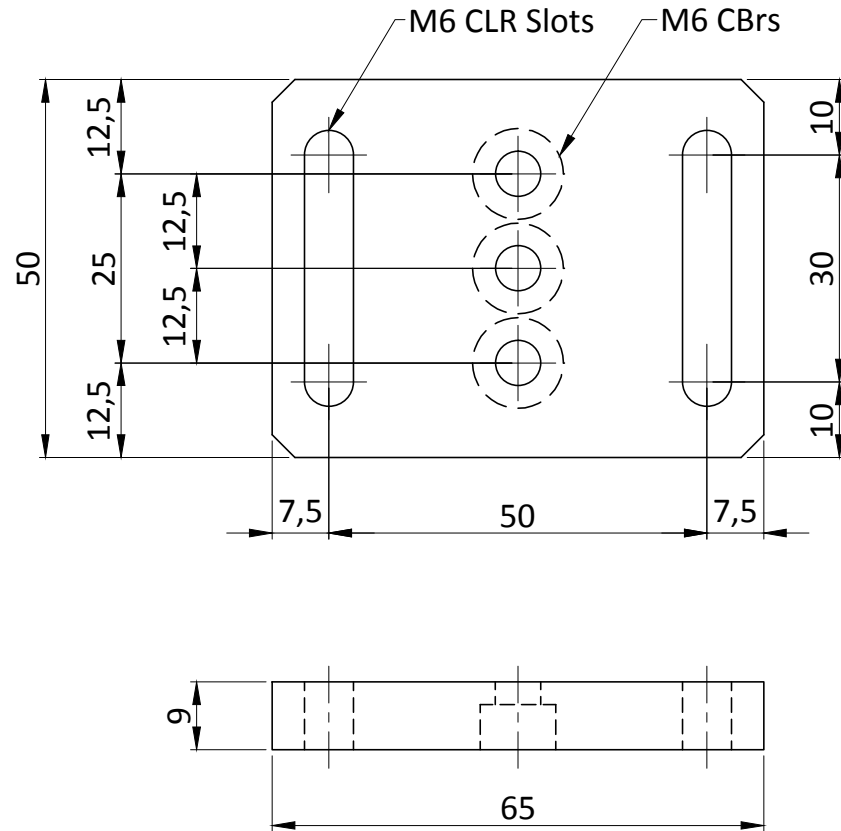
THIS INFORMATION IS CONFIDENTIAL AND PROPRIETARY TO HOLMARC , ITS WORLDWIDE SUBSIDIARIES AND/OR AFFILIATES.IT MAY NOT BE DISCLOSED TO ANYONE, OTHER THAN HOLMARC PERSONNEL, WITHOUT WRITTEN AUTHORIZATION FROM AN AUTHORIZED REPRESENTATIVE OF HOLMARC



Model No:	Type	Suitable Post Series	Size (mm)
PB - 9030	H-Type	12 & 16	90 x 30 x 9
MPB - 9030	H-Type	12 & 16	90 x 30 x 9

"INFORMATION ONLY NOT FOR MANUFACTURING"

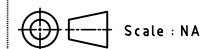
ALL DIMENSIONS ARE IN MM UNLESS OTHERWISE STATED	 Scale : NA	 HOLMARC OPTO-MECHATRONICS PVT. LTD
Post Bases		<small>THIS INFORMATION IS CONFIDENTIAL AND PROPRIETARY TO HOLMARC , ITS WORLDWIDE SUBSIDIARIES AND/OR AFFILIATES.IT MAY NOT BE DISCLOSED TO ANYONE, OTHER THAN HOLMARC PERSONNEL, WITHOUT WRITTEN AUTHORIZATION FROM AN AUTHORIZED REPRESENTATIVE OF HOLMARC</small>



Model No:	Type	Suitable Post Series	Size (mm)
PB - 6550	Square-Type	12 & 16	65 x 50 x 9
MPB - 6550	Square-Type	12 & 16	65 x 50 x 9

"INFORMATION ONLY NOT FOR MANUFACTURING"

ALL DIMENSIONS ARE IN MM
UNLESS OTHERWISE STATED



HOLMARC
OPTO-MECHATRONICS PVT. LTD

Post Bases

THIS INFORMATION IS CONFIDENTIAL AND PROPRIETARY TO HOLMARC , ITS WORLDWIDE SUBSIDIARIES AND/OR AFFILIATES.IT MAY NOT BE DISCLOSED TO ANYONE, OTHER THAN HOLMARC PERSONNEL, WITHOUT WRITTEN AUTHORIZATION FROM AN AUTHORIZED REPRESENTATIVE OF HOLMARC