

*FOR INFORMATION ONLY
NOT FOR MANUFACTURING*

THIS INFORMATION IS CONFIDENTIAL
AND PROPRIETARY TO HOLMARC .
ITS WORLDWIDE SUBSIDIARIES
AND/OR AFFILIATES. IT MAY NOT BE
DISCLOSED TO ANYONE,
OTHER THAN HOLMARC PERSONNEL,
WITHOUT WRITTEN AUTHORIZATION
FROM AN AUTHORIZED
REPRESENTATIVE OF HOLMARC

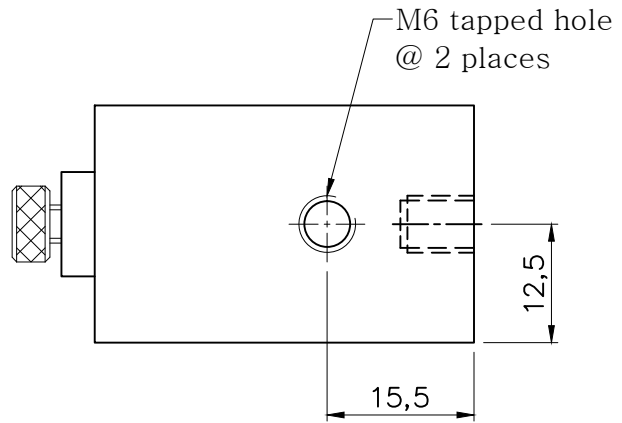
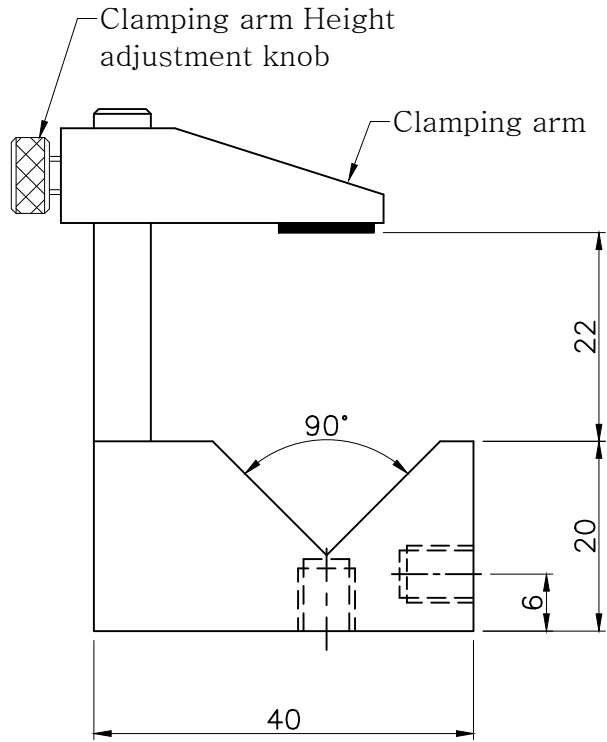
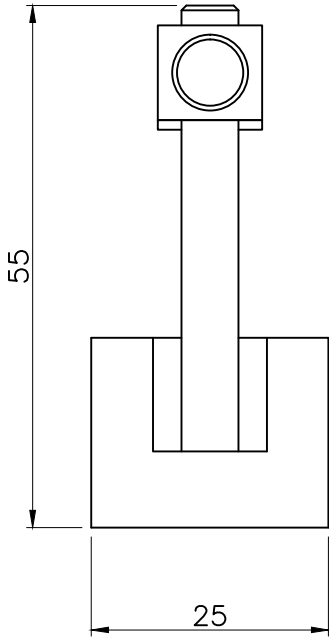
ALL DIMENSIONS
ARE IN MM UNLESS
OTHERWISE STATED



SCALE : NA

HOLMARC
OPTO-MECHATRONICS (P) Ltd
B-7 , H.M.T Industrial Estate,
H.M.T (P.O), Kochi, India.

V- type clamp (V-TC-12)



*FOR INFORMATION ONLY
NOT FOR MANUFACTURING*

THIS INFORMATION IS CONFIDENTIAL
AND PROPRIETARY TO HOLMARC,
ITS WORLDWIDE SUBSIDIARIES
AND/OR AFFILIATES. IT MAY NOT BE
DISCLOSED TO ANYONE,
OTHER THAN HOLMARC PERSONNEL,
WITHOUT WRITTEN AUTHORIZATION
FROM AN AUTHORIZED
REPRESENTATIVE OF HOLMARC

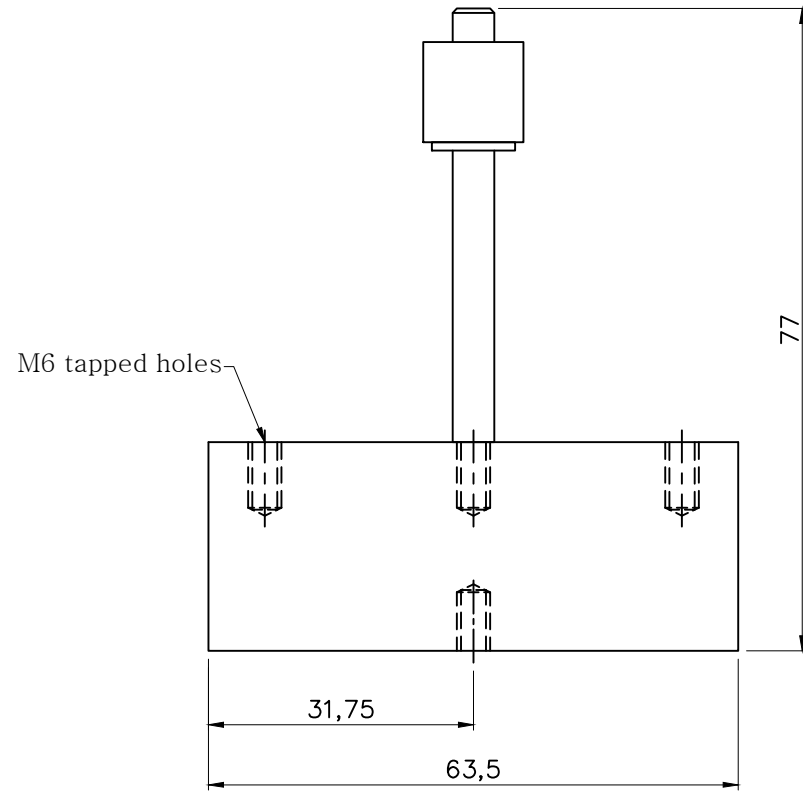
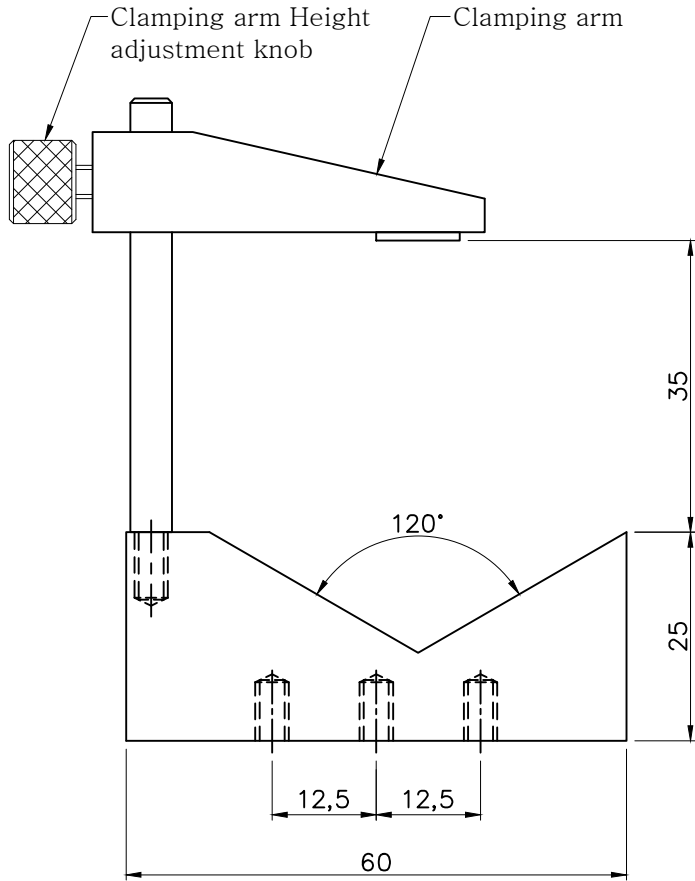
HOLMARC
OPTO-MECHATRONICS (P) Ltd
B-7, H.M.T Industrial Estate,
H.M.T (P.O), Kochi, India.

ALL DIMENSIONS
ARE IN MM UNLESS
OTHERWISE STATED



SCALE : NA

V- type clamp (V-TC-25)



*FOR INFORMATION ONLY
NOT FOR MANUFACTURING*

THIS INFORMATION IS CONFIDENTIAL
AND PROPRIETARY TO HOLMARC .
ITS WORLDWIDE SUBSIDIARIES
AND/OR AFFILIATES. IT MAY NOT BE
DISCLOSED TO ANYONE,
OTHER THAN HOLMARC PERSONNEL,
WITHOUT WRITTEN AUTHORIZATION
FROM AN AUTHORIZED
REPRESENTATIVE OF HOLMARC

ALL DIMENSIONS
ARE IN MM UNLESS
OTHERWISE STATED



SCALE : NA

HOLMARC

OPTO-MECHATRONICS (P) Ltd

B-7 , H.M.T Industrial Estate,
H.M.T (P.O), Kochi, India.

V- type clamp (V-TC-50)