


"INFORMATION ONLY NOT FOR MANUFACTURING"

ALL DIMENSIONS ARE IN MM  
UNLESS OTHERWISE STATED

 Scale : NA

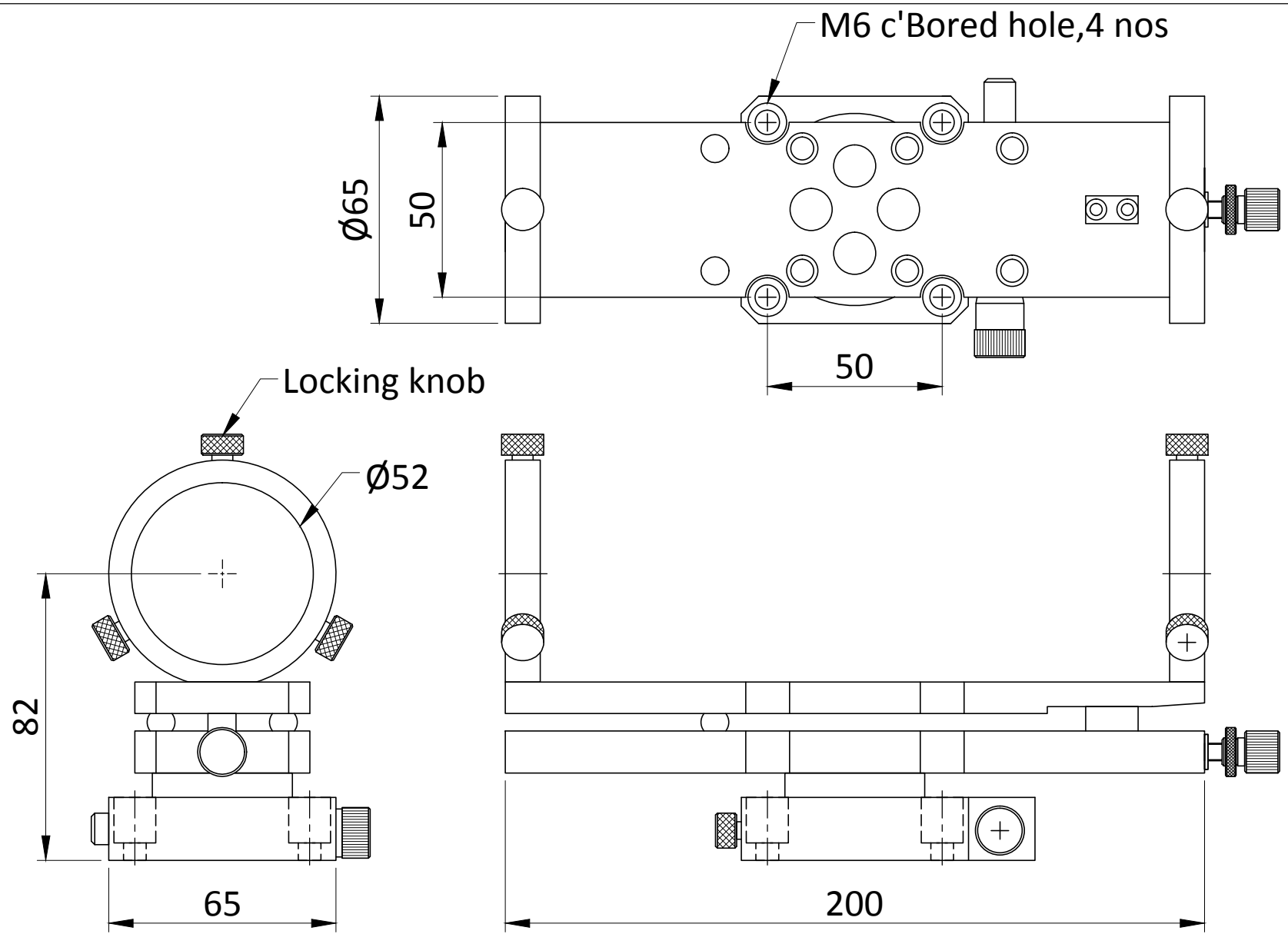


**HOLMARC**  
OPTO-MECHATRONICS PVT. LTD

Model No: Gy-He-LM-30

He-Ne Laser Mount  
Tilt And Rotation

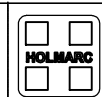
THIS INFORMATION IS CONFIDENTIAL AND PROPRIETARY TO HOLMARC, ITS WORLDWIDE SUBSIDIARIES AND/OR AFFILIATES. IT MAY NOT BE DISCLOSED TO ANYONE, OTHER THAN HOLMARC PERSONNEL, WITHOUT WRITTEN AUTHORIZATION FROM AN AUTHORIZED REPRESENTATIVE OF HOLMARC



"INFORMATION ONLY NOT FOR MANUFACTURING"

ALL DIMENSIONS ARE IN MM  
UNLESS OTHERWISE STATED

Scale : NA



**HOLMARC**  
OPTO-MECHATRONICS PVT. LTD

Model No: Gy-He-LM-50

He-Ne Laser Mount  
Tilt And Rotation

THIS INFORMATION IS CONFIDENTIAL AND PROPRIETARY TO HOLMARC , ITS WORLDWIDE SUBSIDIARIES AND/OR AFFILIATES.IT MAY NOT BE DISCLOSED TO ANYONE, OTHER THAN HOLMARC PERSONNEL, WITHOUT WRITTEN AUTHORIZATION FROM AN AUTHORIZED REPRESENTATIVE OF HOLMARC