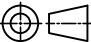


**Model No: KCLM-50**

"INFORMATION ONLY NOT FOR MANUFACTURING"

ALL DIMENSIONS ARE IN MM  
UNLESS OTHERWISE STATED

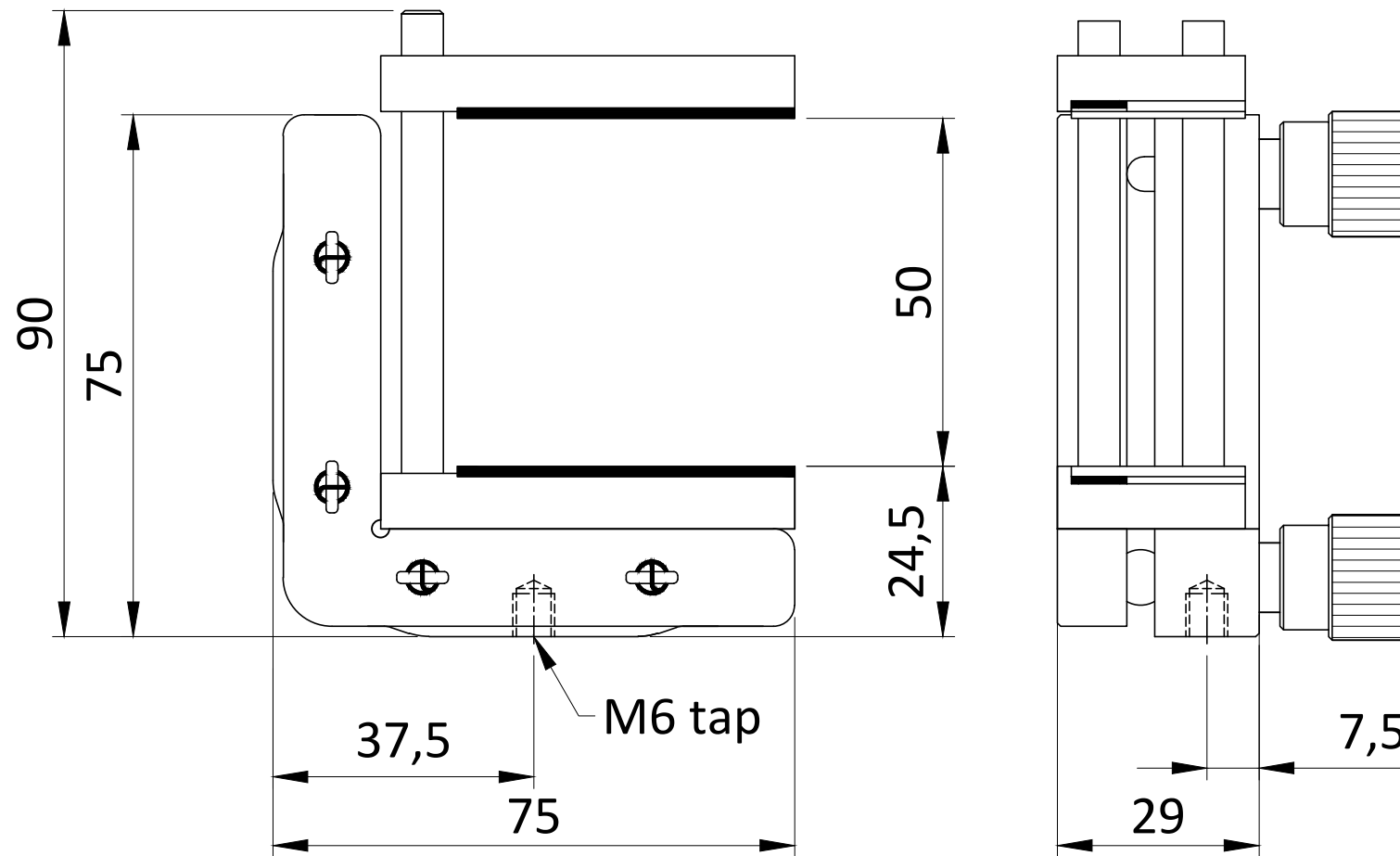
 Scale : NA



**HOLMARC**  
OPTO-MECHATRONICS PVT. LTD

Kinematic Cylindrical  
Lens Mount

THIS INFORMATION IS CONFIDENTIAL AND PROPRIETARY TO HOLMARC , ITS WORLDWIDE SUBSIDIARIES AND/OR AFFILIATES. IT MAY NOT BE DISCLOSED TO ANYONE, OTHER THAN HOLMARC PERSONNEL, WITHOUT WRITTEN AUTHORIZATION FROM AN AUTHORIZED REPRESENTATIVE OF HOLMARC



Model No: KCLM-75

"INFORMATION ONLY NOT FOR MANUFACTURING"

ALL DIMENSIONS ARE IN MM  
UNLESS OTHERWISE STATED

Scale : NA



**HOLMARC**  
OPTO-MECHATRONICS PVT. LTD

Cylindrical Lens Mounts

THIS INFORMATION IS CONFIDENTIAL AND PROPRIETARY TO HOLMARC , ITS WORLDWIDE SUBSIDIARIES AND/OR AFFILIATES.IT MAY NOT BE DISCLOSED TO ANYONE, OTHER THAN HOLMARC PERSONNEL, WITHOUT WRITTEN AUTHORIZATION FROM AN AUTHORIZED REPRESENTATIVE OF HOLMARC