

M6 Taps and
M4 CBRs

"INFORMATION ONLY, NOT FOR MANUFACTURING"

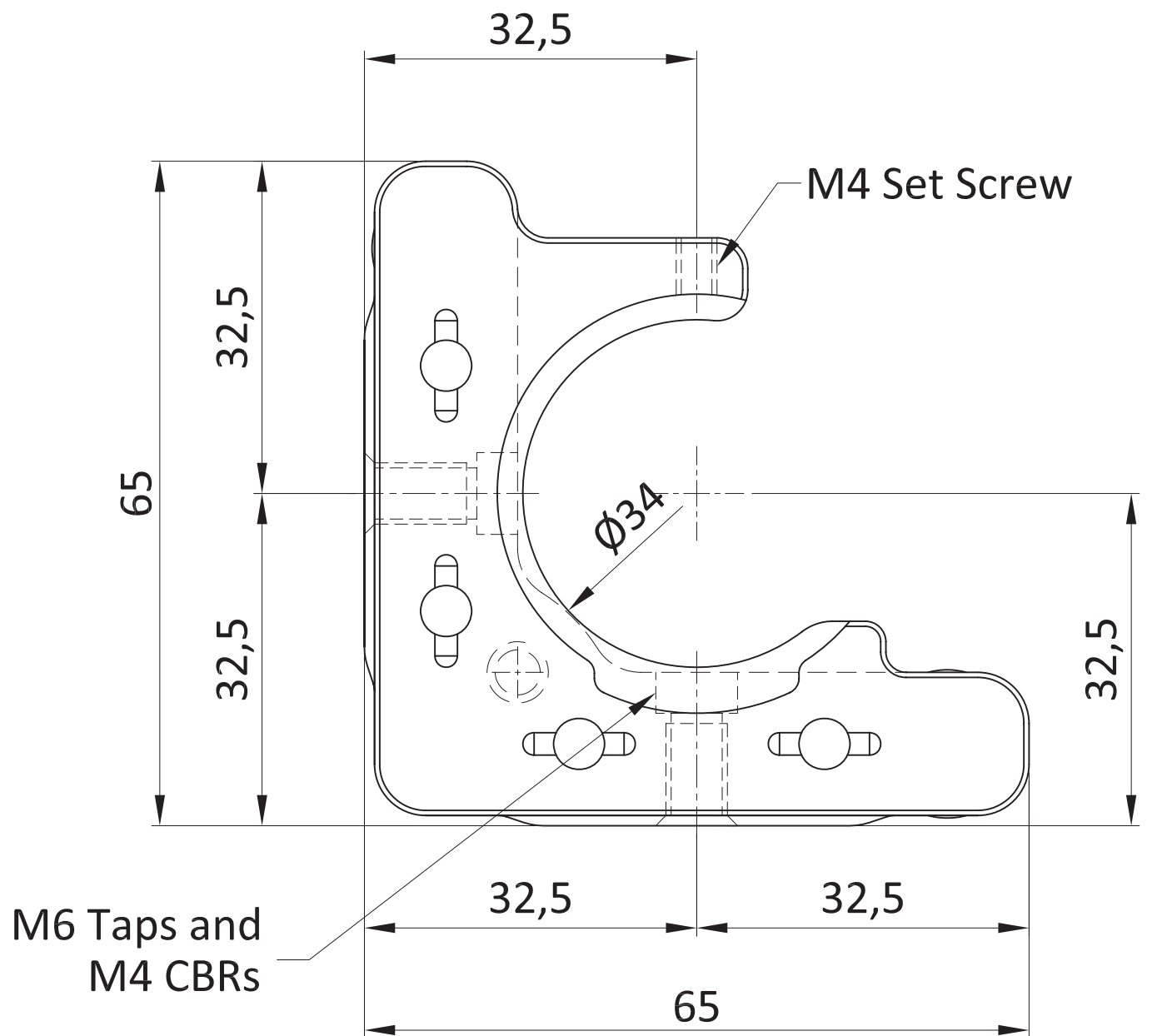
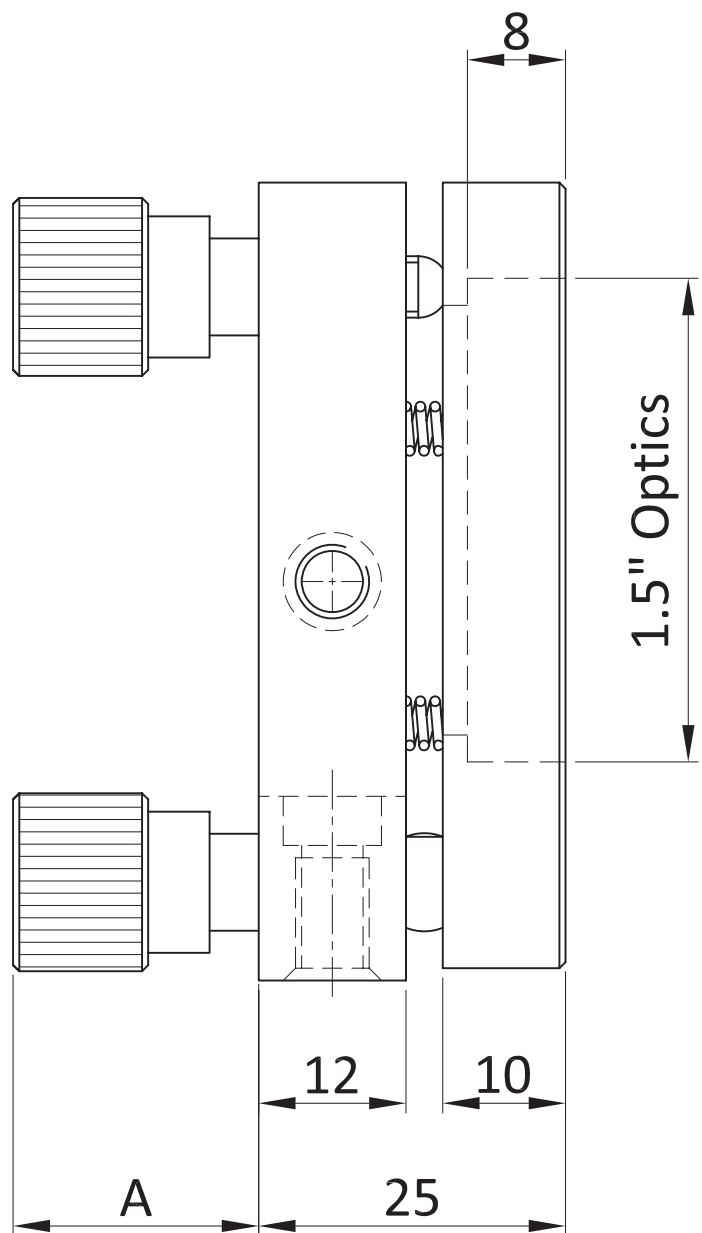
ALL DIMENSIONS ARE IN MM
UNLESS OTHERWISE STATED



HOLMARC
OPTO-MECHATRONICS PVT. LTD.

Kinematic Mount
with Maximum Aperture
(BMX SERIES)

THIS INFORMATION IS CONFIDENTIAL AND PROPRIETARY
TO HOLMARC, ITS WORLDWIDE SUBSIDIARIES AND/OR AFFILIATES. IT
MAY NOT BE DISCLOSED TO ANYONE, OTHER THAN HOLMARC
PERSONNEL, WITHOUT WRITTEN AUTHORIZATION FROM AN AUTHORIZED
REPRESENTATIVE OF HOLMARC



"INFORMATION ONLY, NOT FOR MANUFACTURING"

ALL DIMENSIONS ARE IN MM
UNLESS OTHERWISE STATED



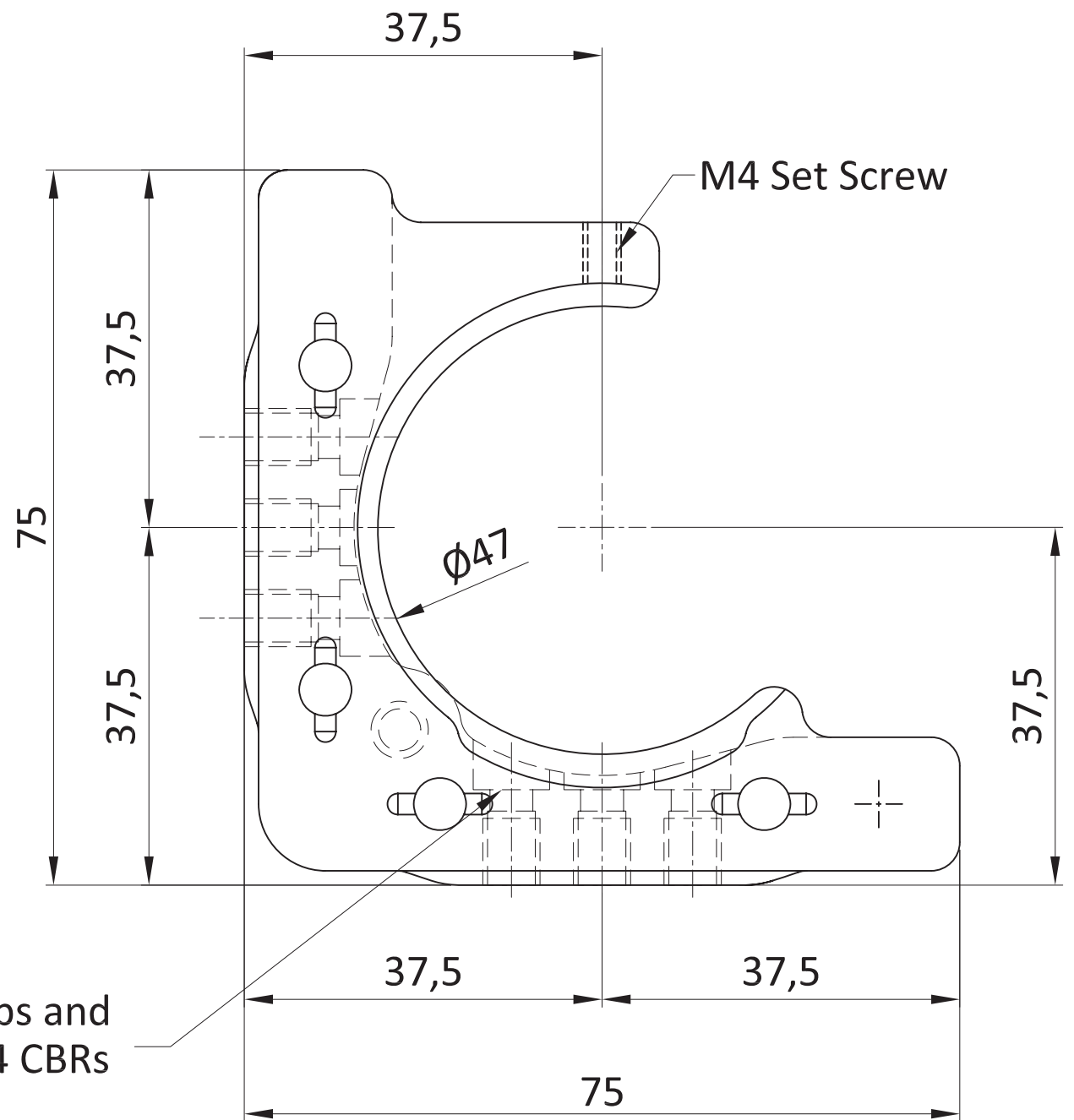
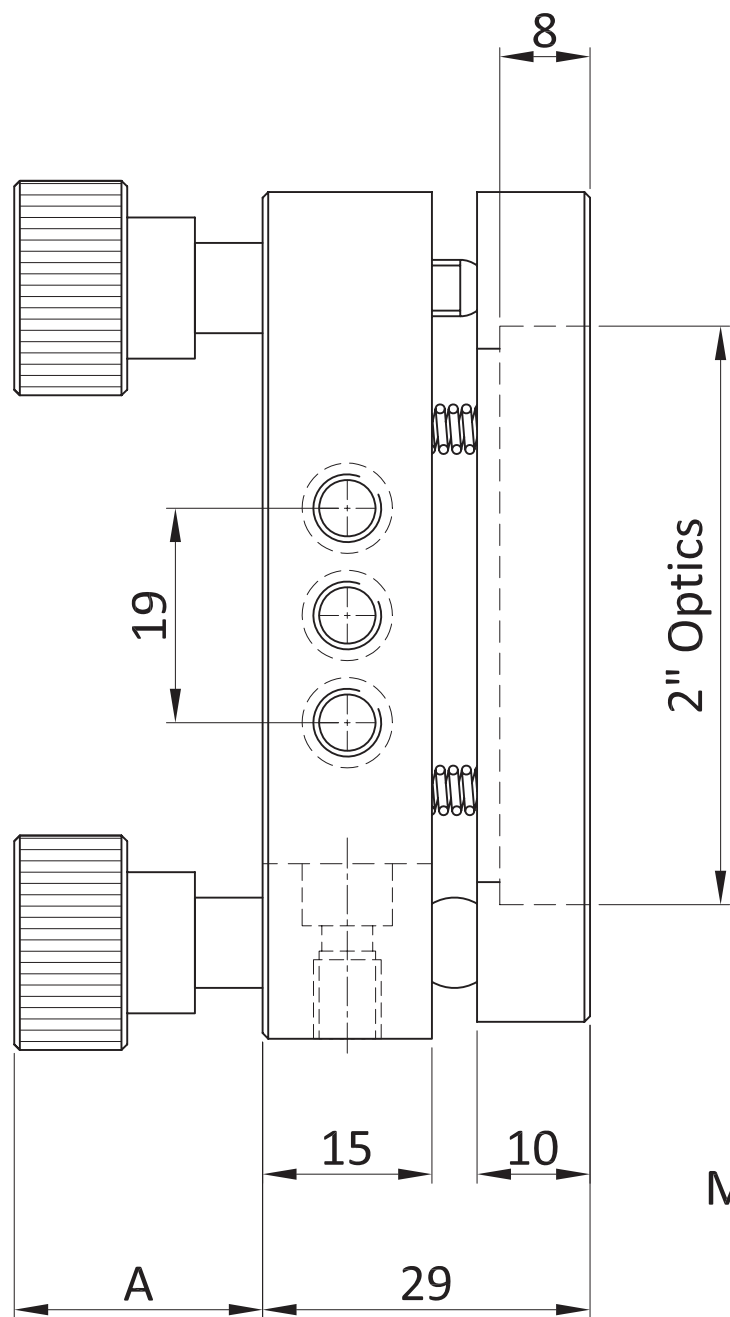
Scale : NA



HOLMARC
OPTO-MECHATRONICS PVT. LTD.

Kinematic Mount
with Maximum Aperture
(BMX SERIES)

THIS INFORMATION IS CONFIDENTIAL AND PROPRIETARY
TO HOLMARC, ITS WORLDWIDE SUBSIDIARIES AND/OR AFFILIATES. IT
MAY NOT BE DISCLOSED TO ANYONE, OTHER THAN HOLMARC
PERSONNEL, WITHOUT WRITTEN AUTHORIZATION FROM AN AUTHORIZED
REPRESENTATIVE OF HOLMARC



"INFORMATION ONLY, NOT FOR MANUFACTURING"

ALL DIMENSIONS ARE IN MM
UNLESS OTHERWISE STATED

Scale: NA



Kinematic Mount
with Maximum Aperture
(BMX SERIES)

THIS INFORMATION IS CONFIDENTIAL AND PROPRIETARY
TO HOLMARC, ITS WORLDWIDE SUBSIDIARIES AND/OR AFFILIATES. IT
MAY NOT BE DISCLOSED TO ANYONE, OTHER THAN HOLMARC
PERSONNEL, WITHOUT WRITTEN AUTHORIZATION FROM AN AUTHORIZED
REPRESENTATIVE OF HOLMARC