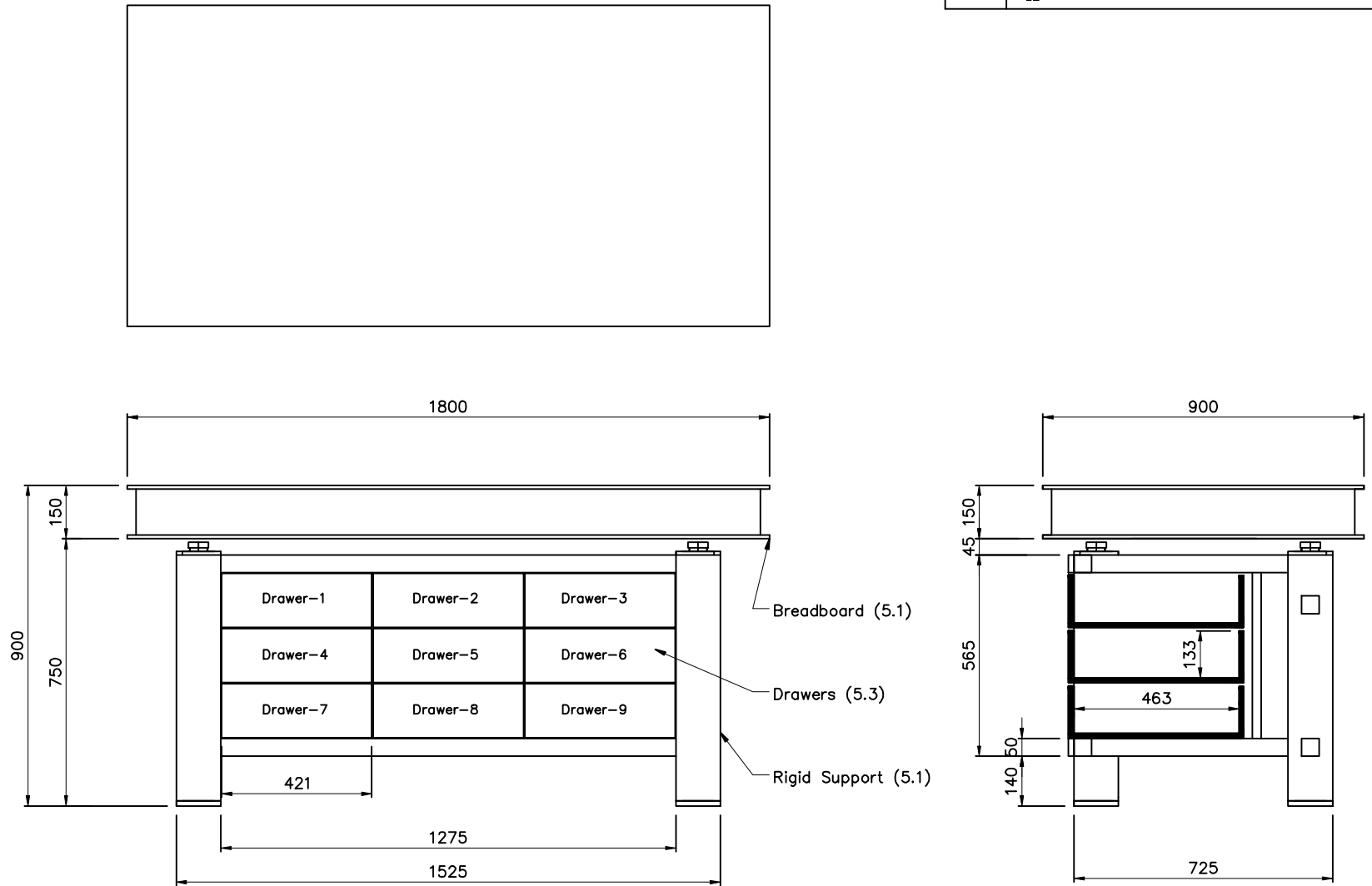
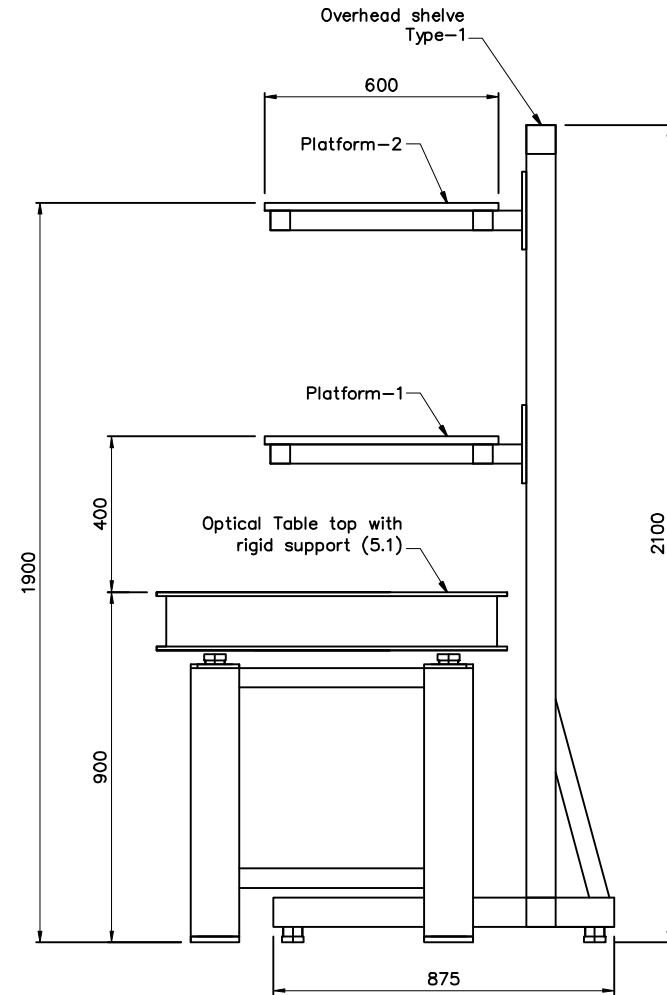
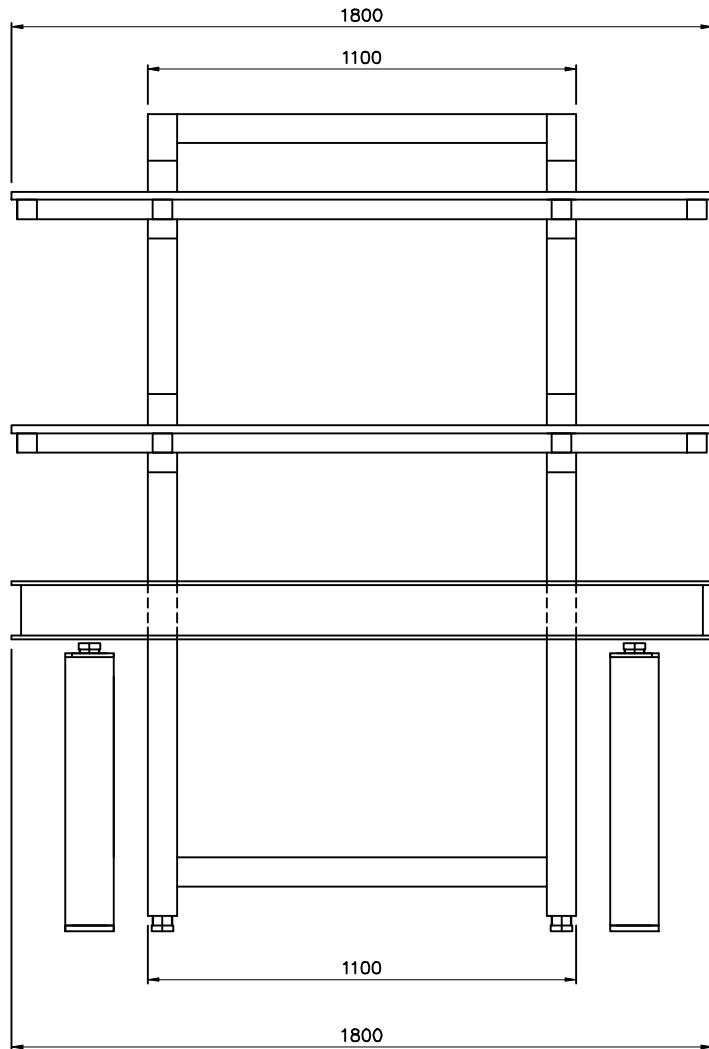


REV	DESCRIPTION	DATE
X	X	00/00/2018



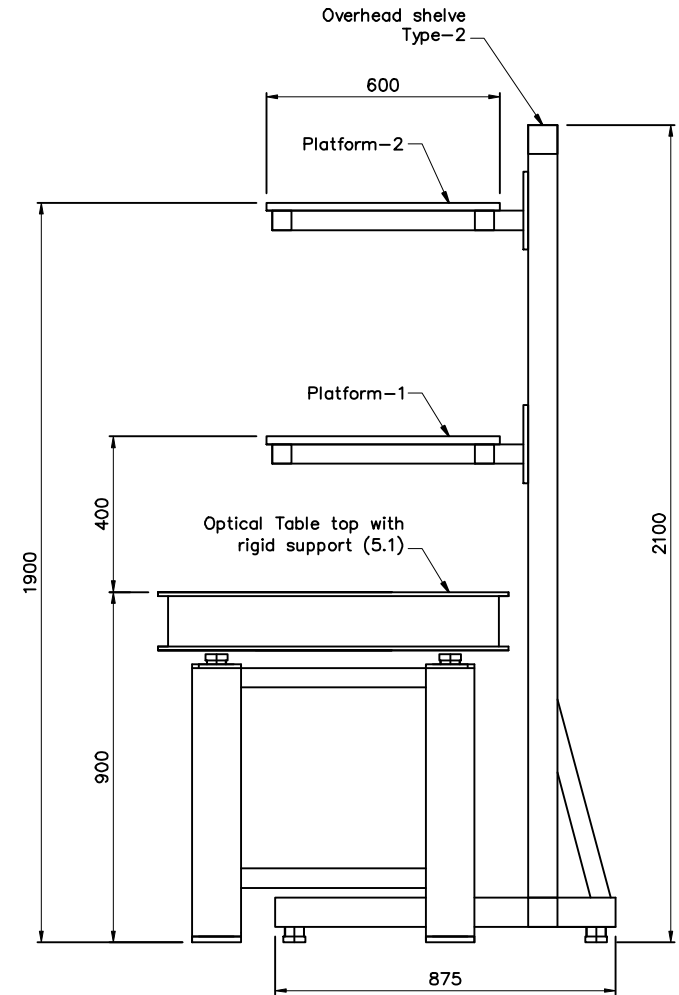
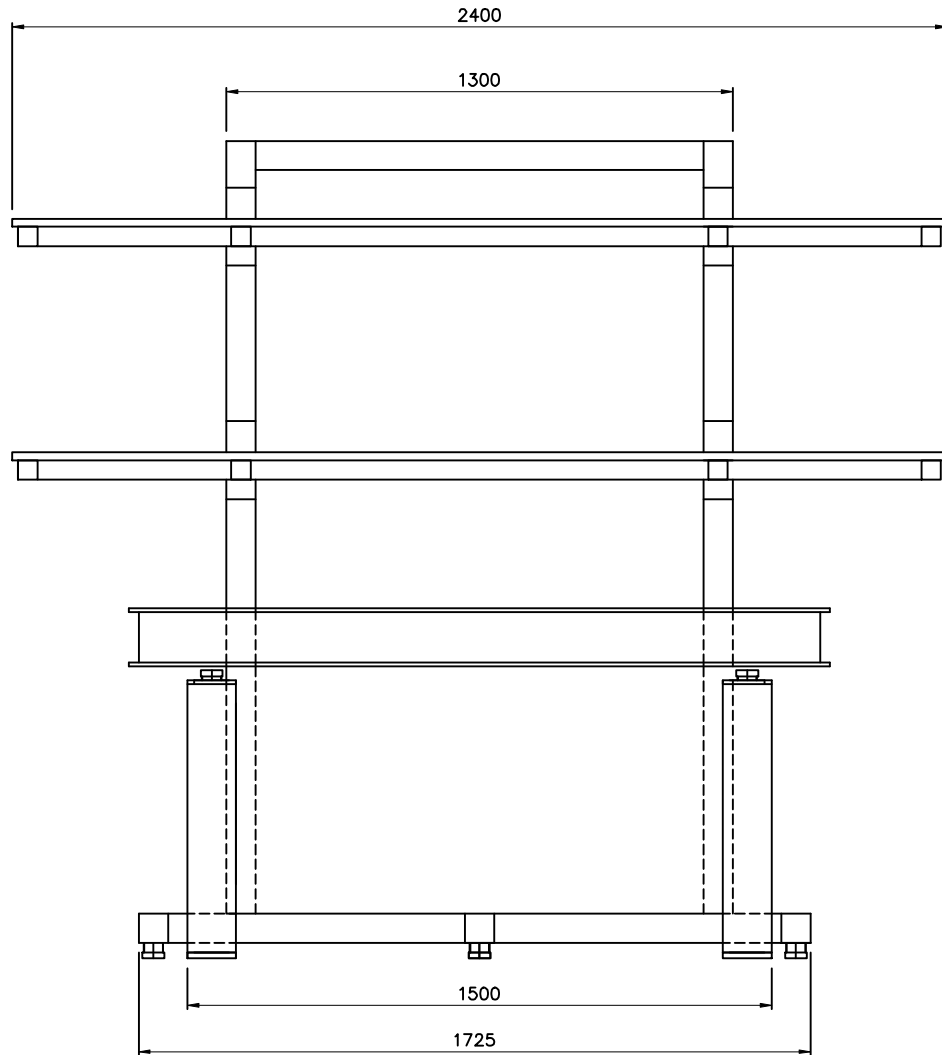
				Drawn	Material	Quantity	Finish	Date	Scale	Sheet Size
				PCA	MS	01	Painted	28/11/2019	NA	NA
X	±10	X°	±0.5°	Checked	HOLMARC <small>OPTO-MECHATRONICS (P) LTD</small>		Title Optical lab table with overhead shelf and drawers			
XX	±0.1			VVT	Part Number		Drawing/ Model Number		Part Revision	
XXX	±0.02			Approved	1 & 3		PRO 19 1139 00		0	
X.XXX	±0.005			EMC	1) Optical lab table 3) drawers					

REV	DESCRIPTION	DATE
X	X	00/00/2018



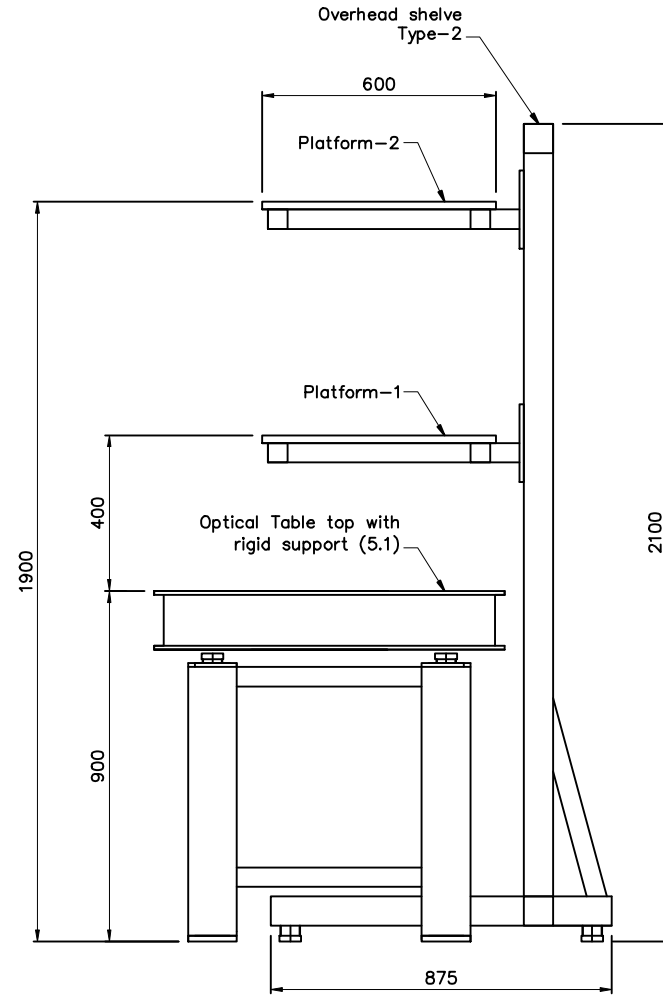
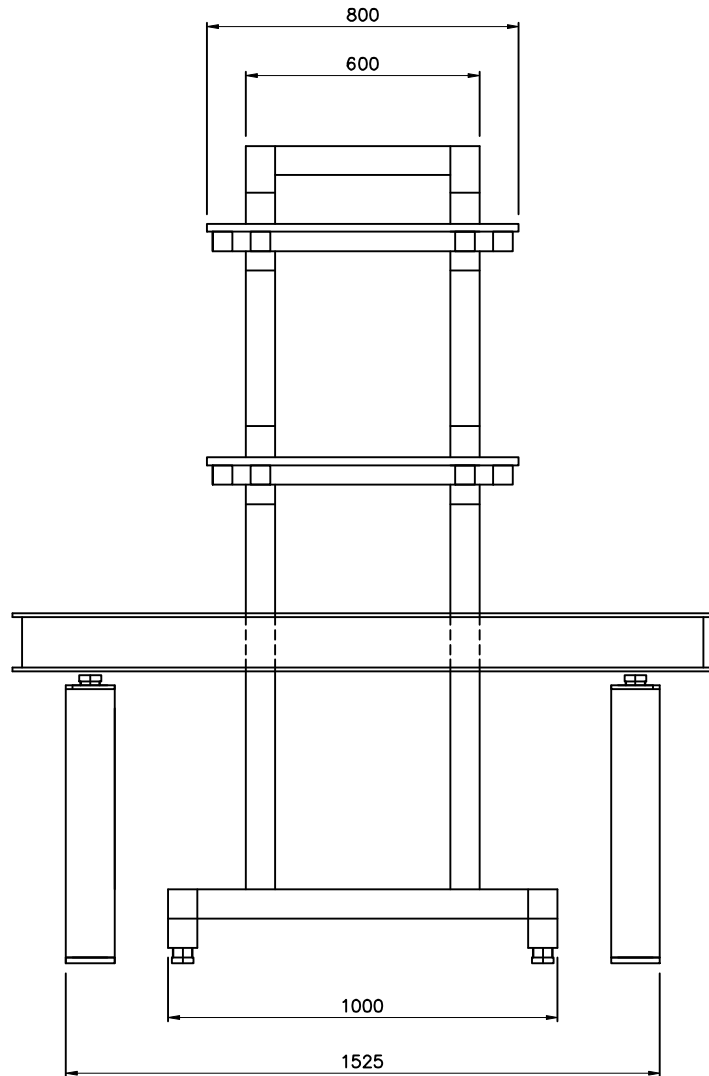
				Drawn	Material	Quantity	Finish	Date	Scale	Sheet Size
				PCA	MS	01	Painted	28/11/2019	NA	NA
X	±10	X°	±0.5°	Checked	 		Title Optical lab table with overhead shelf and drawers			
XX	±0.1			VVT						
XXX	±0.02			Approved	Part Number	Part Name	Drawing/ Model Number		Part Revision	
XXX	±0.005	 		EMC	2	2) overhead self : Type-1	PRO 19 1139 00		0	

REV	DESCRIPTION	DATE
X	X	00/00/2018



				Drawn	Material	Quantity	Finish	Date	Scale	Sheet Size
				PCA	MS	01	Painted	28/11/2019	NA	NA
X	±10	X°	±0.5°	Checked	■ ■	Title Optical lab table with overhead shelf and drawers				
XX	±0.1			VVT	■ ■					
XXX	±0.02			Approved	Part Number	Part Name	Drawing/ Model Number	Part Revision PRO 19 1139 00 0		
X.XXX	±0.005			EMC	2	2) overhead self : Type-2				

REV	DESCRIPTION	DATE
X	X	00/00/2018



				Drawn	Material	Quantity	Finish	Date	Scale	Sheet Size
				PCA	MS	01	Painted	28/11/2019	NA	NA
X	±10	X'	±0.5'	Checked				Title Optical lab table with overhead shelf and drawers		
X.X	±0.1			VVT						
X.XX	±0.02			Approved	Part Number	Part Name	Drawing/ Model Number		Part Revision	
X.XXX	±0.005			EMC	2	2) overhead self : Type-3	PRO 19 1139 00		0	