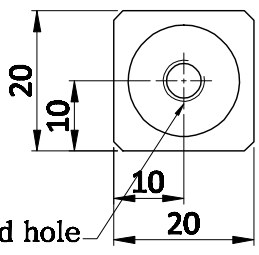
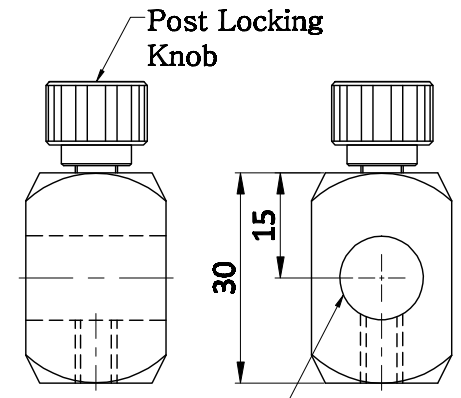


Accept standard 'P-8D' series posts

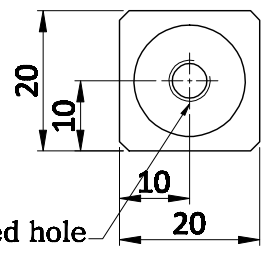


M6 tapped hole

Model:TEPC-8

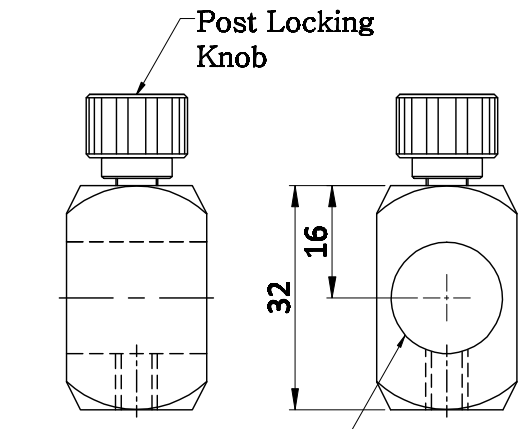


Accept standard 'P' series posts

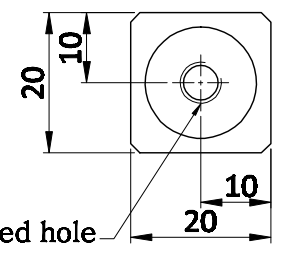


M6 tapped hole

Model:TEPC-12



Accept standard 'P-16D' series posts



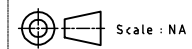
M6 tapped hole

Model:TEPC-16

Model No:	Diameter of post
TEPC - 8	8
TEPC - 12	12
TEPC - 16	16

"INFORMATION ONLY NOT FOR MANUFACTURING"

ALL DIMENSIONS ARE IN MM UNLESS OTHERWISE STATED



HOLMARC
OPTO-MECHATRONICS PVT. LTD

Top End Right Angle
Post Clamp

THIS INFORMATION IS CONFIDENTIAL AND PROPRIETARY TO HOLMARC, ITS WORLDWIDE SUBSIDIARIES AND/OR AFFILIATES. IT MAY NOT BE DISCLOSED TO ANYONE, OTHER THAN HOLMARC PERSONNEL, WITHOUT WRITTEN AUTHORIZATION FROM AN AUTHORIZED REPRESENTATIVE OF HOLMARC