

Model No: RS-25 or SS

"INFORMATION ONLY NOT FOR MANUFACTURING"

ALL DIMENSIONS ARE IN MM
UNLESS OTHERWISE STATED

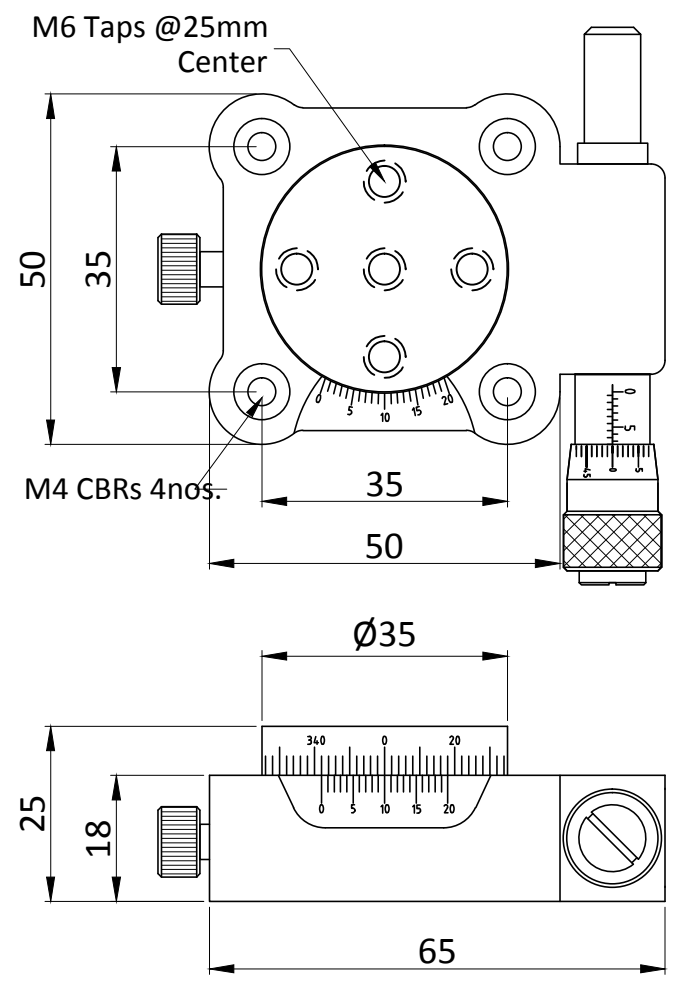
Scale : NA



HOLMARC
OPTO-MECHATRONICS PVT. LTD

Rotation Stages

THIS INFORMATION IS CONFIDENTIAL AND PROPRIETARY TO HOLMARC, ITS WORLDWIDE SUBSIDIARIES AND/OR AFFILIATES. IT MAY NOT BE DISCLOSED TO ANYONE, OTHER THAN HOLMARC PERSONNEL, WITHOUT WRITTEN AUTHORIZATION FROM AN AUTHORIZED REPRESENTATIVE OF HOLMARC



Model No: RS-35 or SS

"INFORMATION ONLY NOT FOR MANUFACTURING"

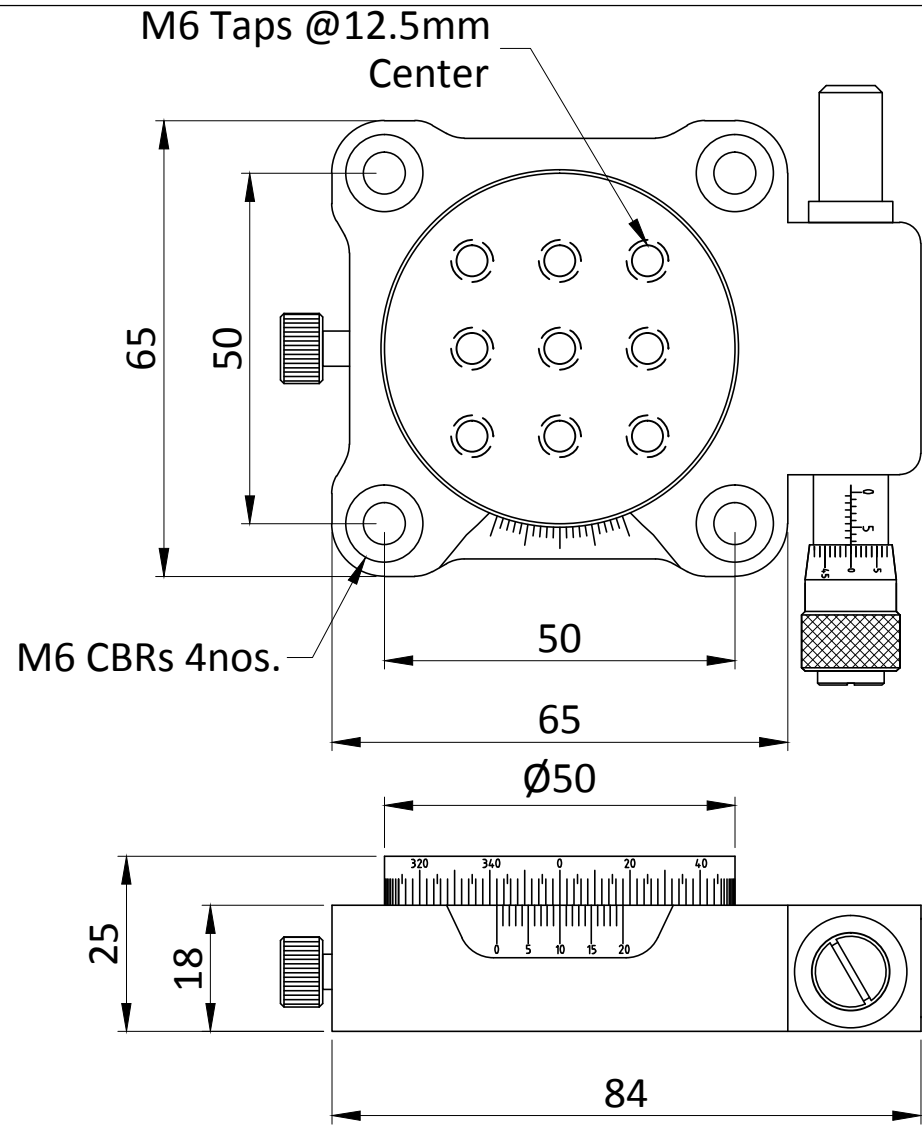
ALL DIMENSIONS ARE IN MM
UNLESS OTHERWISE STATED

Scale : NA



Rotation Stages

THIS INFORMATION IS CONFIDENTIAL AND PROPRIETARY TO HOLMARC, ITS WORLDWIDE SUBSIDIARIES AND/OR AFFILIATES. IT MAY NOT BE DISCLOSED TO ANYONE, OTHER THAN HOLMARC PERSONNEL, WITHOUT WRITTEN AUTHORIZATION FROM AN AUTHORIZED REPRESENTATIVE OF HOLMARC



Model No: RS-50 or SS

"INFORMATION ONLY NOT FOR MANUFACTURING"

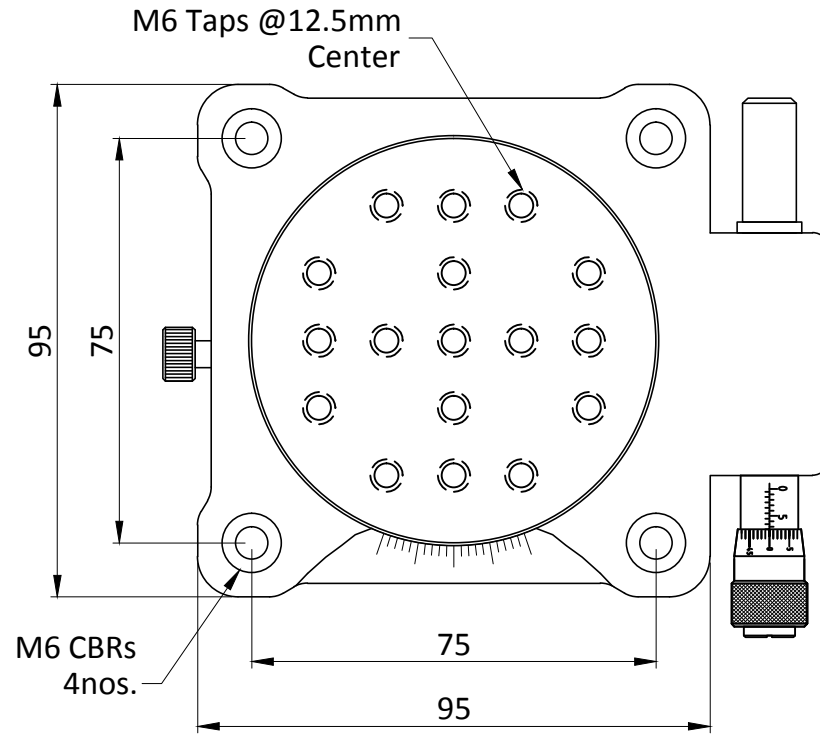
ALL DIMENSIONS ARE IN MM
UNLESS OTHERWISE STATED

Scale : NA

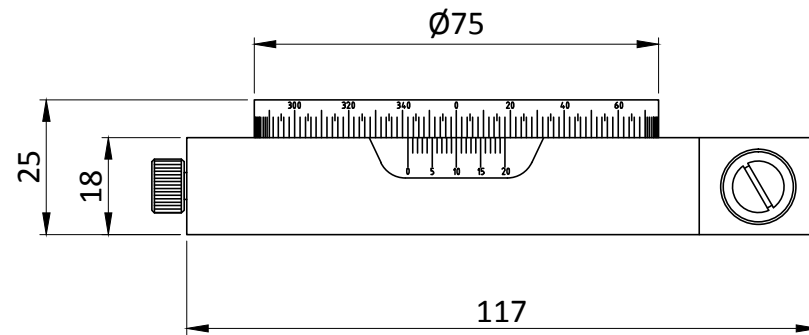


Rotation Stages

THIS INFORMATION IS CONFIDENTIAL AND PROPRIETARY TO HOLMARC, ITS WORLDWIDE SUBSIDIARIES AND/OR AFFILIATES. IT MAY NOT BE DISCLOSED TO ANYONE, OTHER THAN HOLMARC PERSONNEL, WITHOUT WRITTEN AUTHORIZATION FROM AN AUTHORIZED REPRESENTATIVE OF HOLMARC



Model No: RS-75 or SS



"INFORMATION ONLY NOT FOR MANUFACTURING"

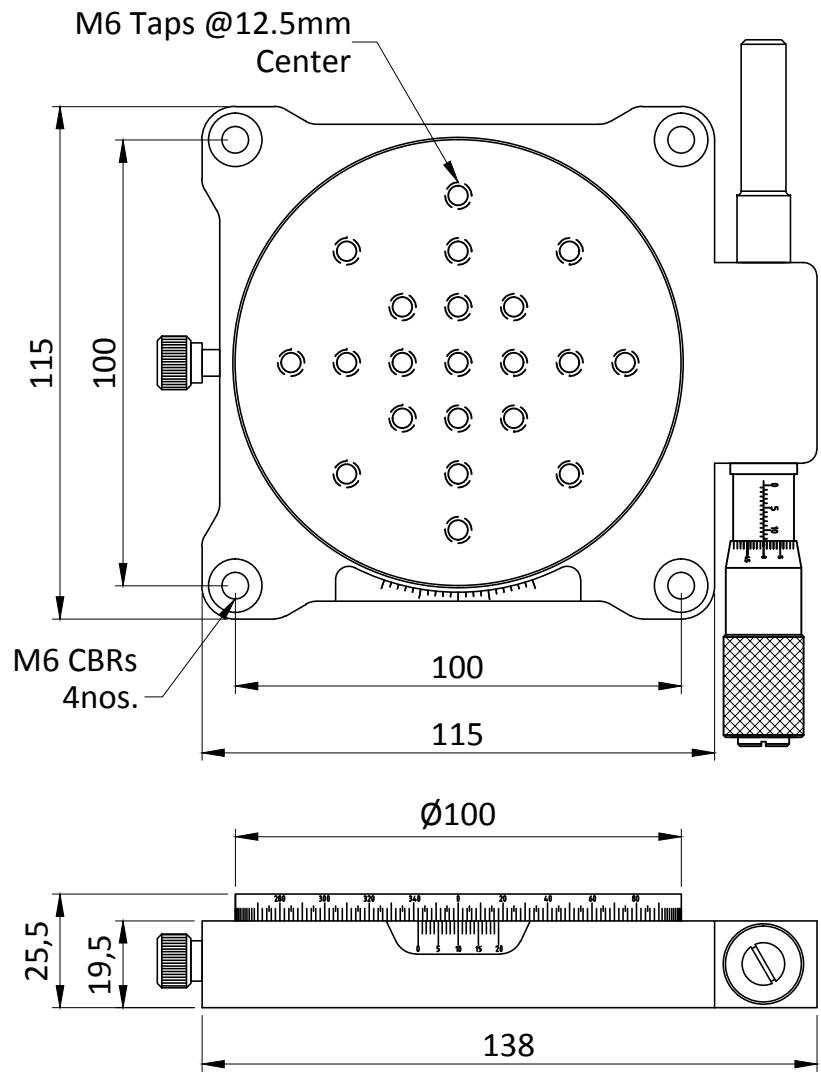
ALL DIMENSIONS ARE IN MM
UNLESS OTHERWISE STATED

Scale : NA

	HOLMARC OPTO-MECHATRONICS PVT. LTD
---	---

Rotation Stages

THIS INFORMATION IS CONFIDENTIAL AND PROPRIETARY TO HOLMARC, ITS WORLDWIDE SUBSIDIARIES AND/OR AFFILIATES. IT MAY NOT BE DISCLOSED TO ANYONE, OTHER THAN HOLMARC PERSONNEL, WITHOUT WRITTEN AUTHORIZATION FROM AN AUTHORIZED REPRESENTATIVE OF HOLMARC



Model No: RS-100 or SS

"INFORMATION ONLY NOT FOR MANUFACTURING"

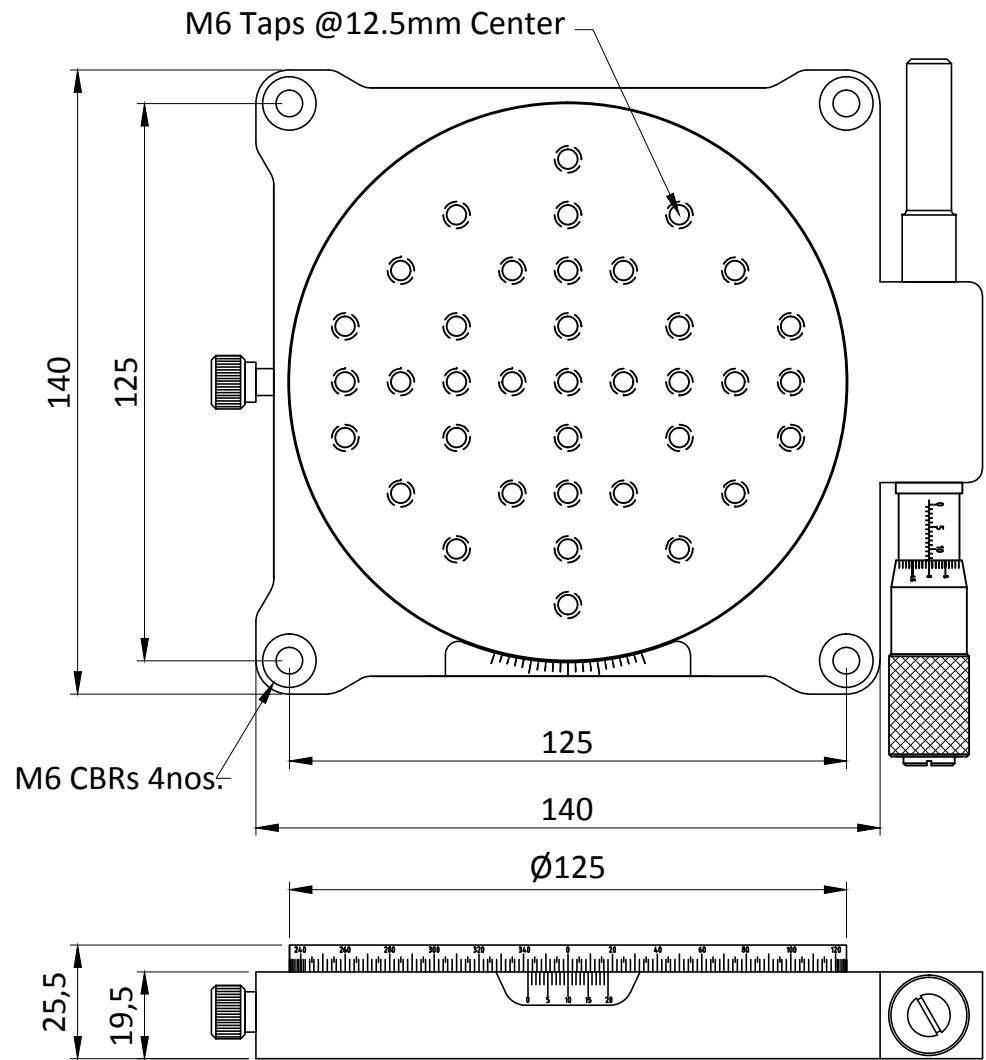
ALL DIMENSIONS ARE IN MM
UNLESS OTHERWISE STATED

Scale : NA



Rotation Stages

THIS INFORMATION IS CONFIDENTIAL AND PROPRIETARY TO HOLMARC, ITS WORLDWIDE SUBSIDIARIES AND/OR AFFILIATES. IT MAY NOT BE DISCLOSED TO ANYONE, OTHER THAN HOLMARC PERSONNEL, WITHOUT WRITTEN AUTHORIZATION FROM AN AUTHORIZED REPRESENTATIVE OF HOLMARC



Model No: RS-125 or SS

"INFORMATION ONLY NOT FOR MANUFACTURING"

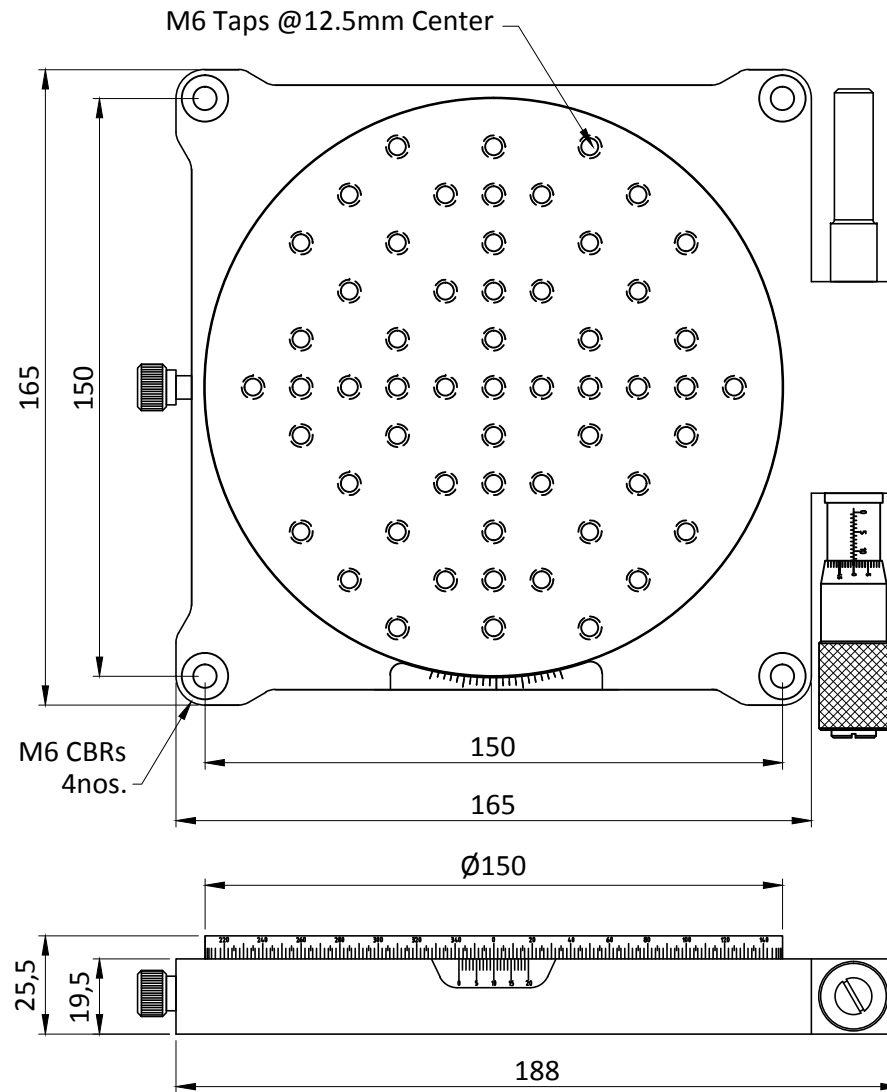
ALL DIMENSIONS ARE IN MM
UNLESS OTHERWISE STATED

Scale : NA



Rotation Stages

THIS INFORMATION IS CONFIDENTIAL AND PROPRIETARY TO HOLMARC, ITS WORLDWIDE SUBSIDIARIES AND/OR AFFILIATES. IT MAY NOT BE DISCLOSED TO ANYONE, OTHER THAN HOLMARC PERSONNEL, WITHOUT WRITTEN AUTHORIZATION FROM AN AUTHORIZED REPRESENTATIVE OF HOLMARC



Model No: RS-150 or SS

"INFORMATION ONLY NOT FOR MANUFACTURING"

ALL DIMENSIONS ARE IN MM
UNLESS OTHERWISE STATED

Scale : NA

HOLMARC
OPTO-MECHATRONICS PVT. LTD

Rotation Stages

THIS INFORMATION IS CONFIDENTIAL AND PROPRIETARY TO HOLMARC, ITS WORLDWIDE SUBSIDIARIES AND/OR AFFILIATES. IT MAY NOT BE DISCLOSED TO ANYONE, OTHER THAN HOLMARC PERSONNEL, WITHOUT WRITTEN AUTHORIZATION FROM AN AUTHORIZED REPRESENTATIVE OF HOLMARC