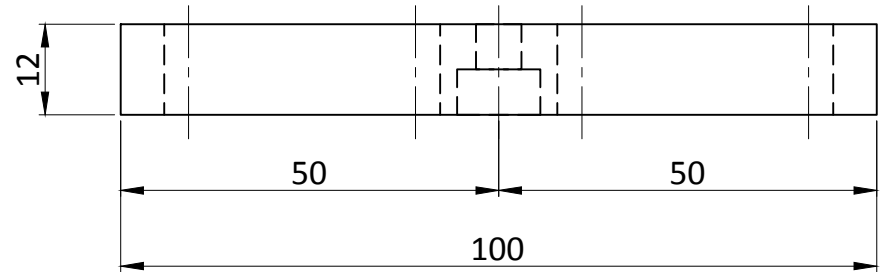
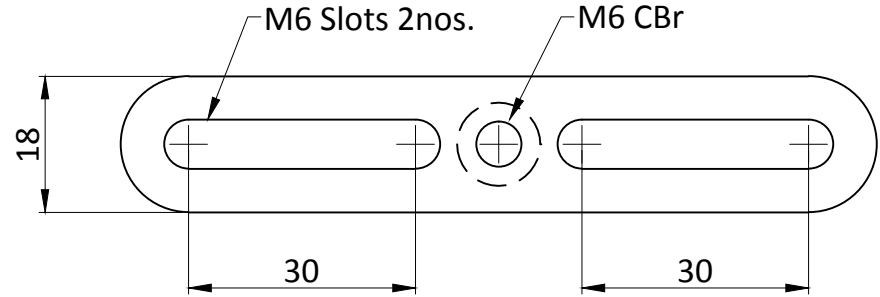
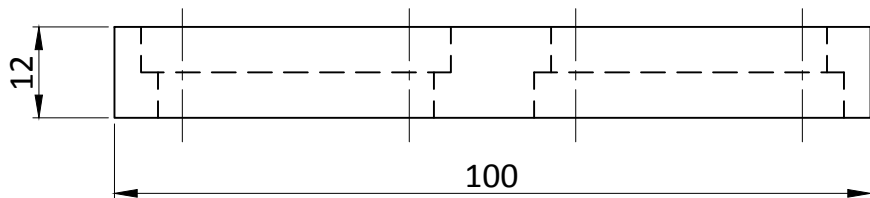
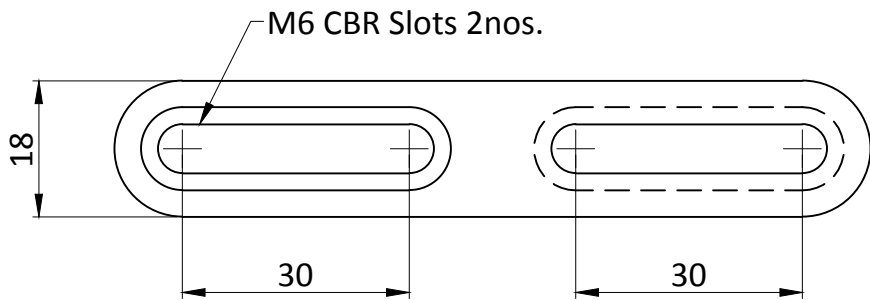


SLP - 25



SLP - 75



SLP - 275

Model No:	Size (mm)	Type
SLP - 25	50 x 18 x 9	Single M6 Slot with M6 CBR Hole
SLP - 75	100 x 18 x 12	Two M6 Slot with M6 CBR Hole
SLP - 275	100 x 18 x 12	Two M6 CBR slots

"INFORMATION ONLY NOT FOR MANUFACTURING"

ALL DIMENSIONS ARE IN MM
UNLESS OTHERWISE STATED

Scale : NA



HOLMARC
OPTO-MECHATRONICS PVT. LTD

Slotted Plates

THIS INFORMATION IS CONFIDENTIAL AND PROPRIETARY TO HOLMARC , ITS WORLDWIDE SUBSIDIARIES AND/OR AFFILIATES.IT MAY NOT BE DISCLOSED TO ANYONE, OTHER THAN HOLMARC PERSONNEL, WITHOUT WRITTEN AUTHORIZATION FROM AN AUTHORIZED REPRESENTATIVE OF HOLMARC