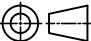


Model No: SFH - 50

"INFORMATION ONLY NOT FOR MANUFACTURING"

ALL DIMENSIONS ARE IN MM
UNLESS OTHERWISE STATED

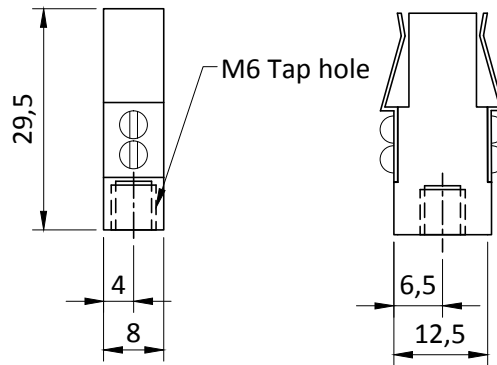
 Scale : NA



HOLMARC
OPTO-MECHATRONICS PVT. LTD

Square Filter Holder

THIS INFORMATION IS CONFIDENTIAL AND PROPRIETARY TO HOLMARC , ITS WORLDWIDE SUBSIDIARIES AND/OR AFFILIATES.IT MAY NOT BE DISCLOSED TO ANYONE, OTHER THAN HOLMARC PERSONNEL, WITHOUT WRITTEN AUTHORIZATION FROM AN AUTHORIZED REPRESENTATIVE OF HOLMARC



Model No: SFHD - 25

"INFORMATION ONLY NOT FOR MANUFACTURING"

ALL DIMENSIONS ARE IN MM
UNLESS OTHERWISE STATED

Scale : NA



HOLMARC
OPTO-MECHATRONICS PVT. LTD

Square Filter Holder

THIS INFORMATION IS CONFIDENTIAL AND PROPRIETARY TO HOLMARC , ITS WORLDWIDE SUBSIDIARIES AND/OR AFFILIATES.IT MAY NOT BE DISCLOSED TO ANYONE, OTHER THAN HOLMARC PERSONNEL, WITHOUT WRITTEN AUTHORIZATION FROM AN AUTHORIZED REPRESENTATIVE OF HOLMARC