

Model : TC-35

"INFORMATION ONLY, NOT FOR MANUFACTURING"

ALL DIMENSIONS ARE IN MM  
UNLESS OTHERWISE STATED



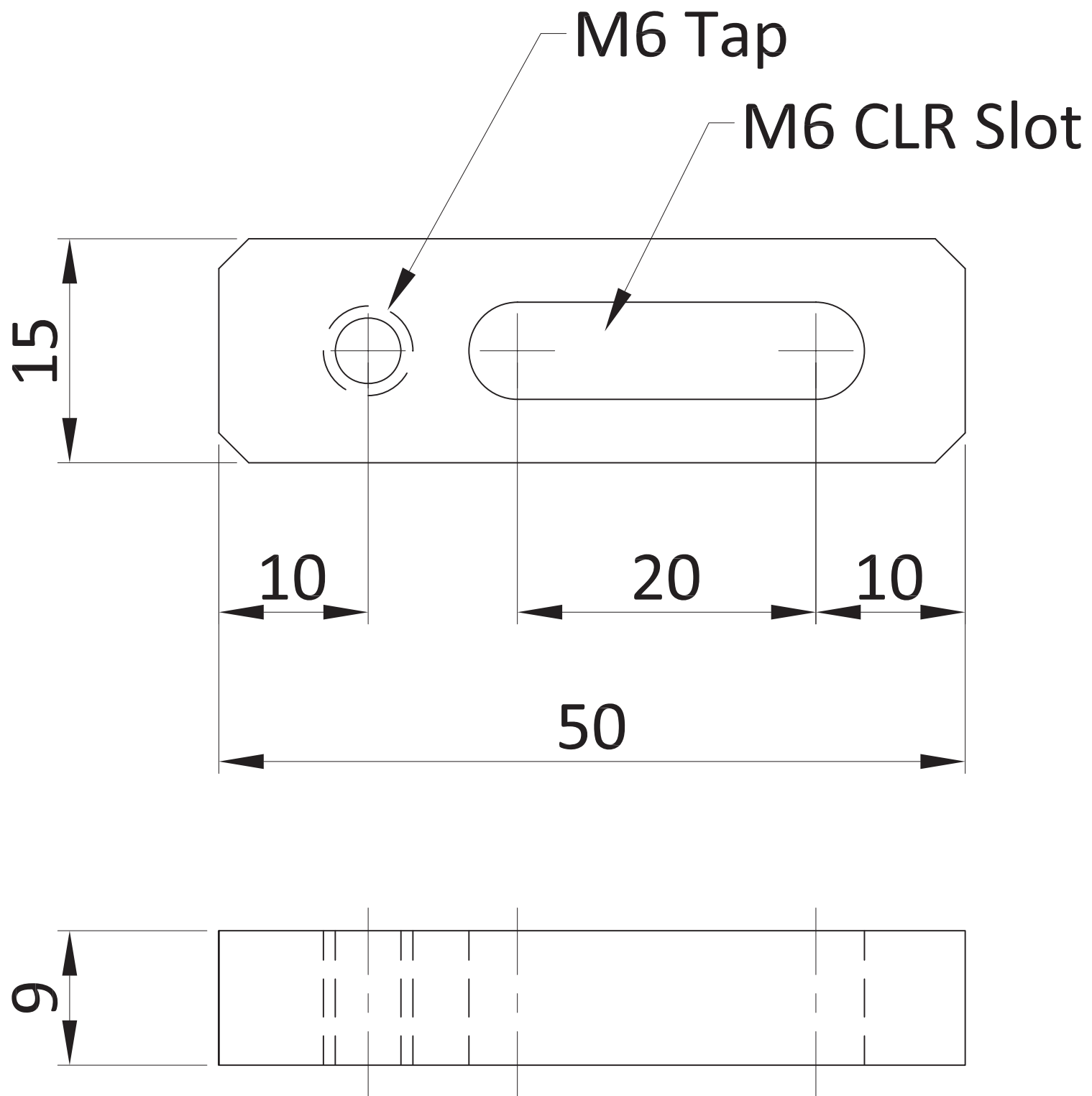
Scale : NA



**HOLMARC**  
OPTO-MECHATRONICS PVT. LTD.

Table Clamps

THIS INFORMATION IS CONFIDENTIAL AND PROPRIETARY TO HOLMARC . ITS WORLDWIDE SUBSIDIARIES AND/OR AFFILIATES.IT MAY NOT BE DISCLOSED TO ANYONE, OTHER THAN HOLMARC PERSONNEL, WITHOUT WRITTEN AUTHORIZATION FROM AN AUTHORIZED REPRESENTATIVE OF HOLMARC



Model : TC-50

"INFORMATION ONLY, NOT FOR MANUFACTURING"

ALL DIMENSIONS ARE IN MM  
UNLESS OTHERWISE STATED



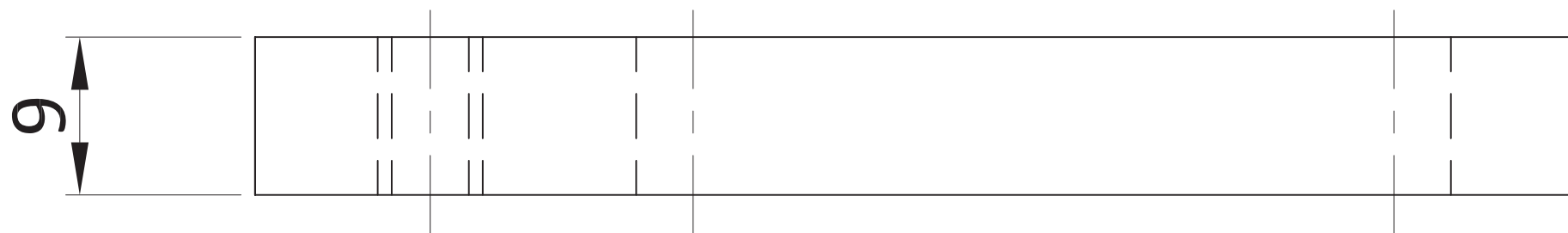
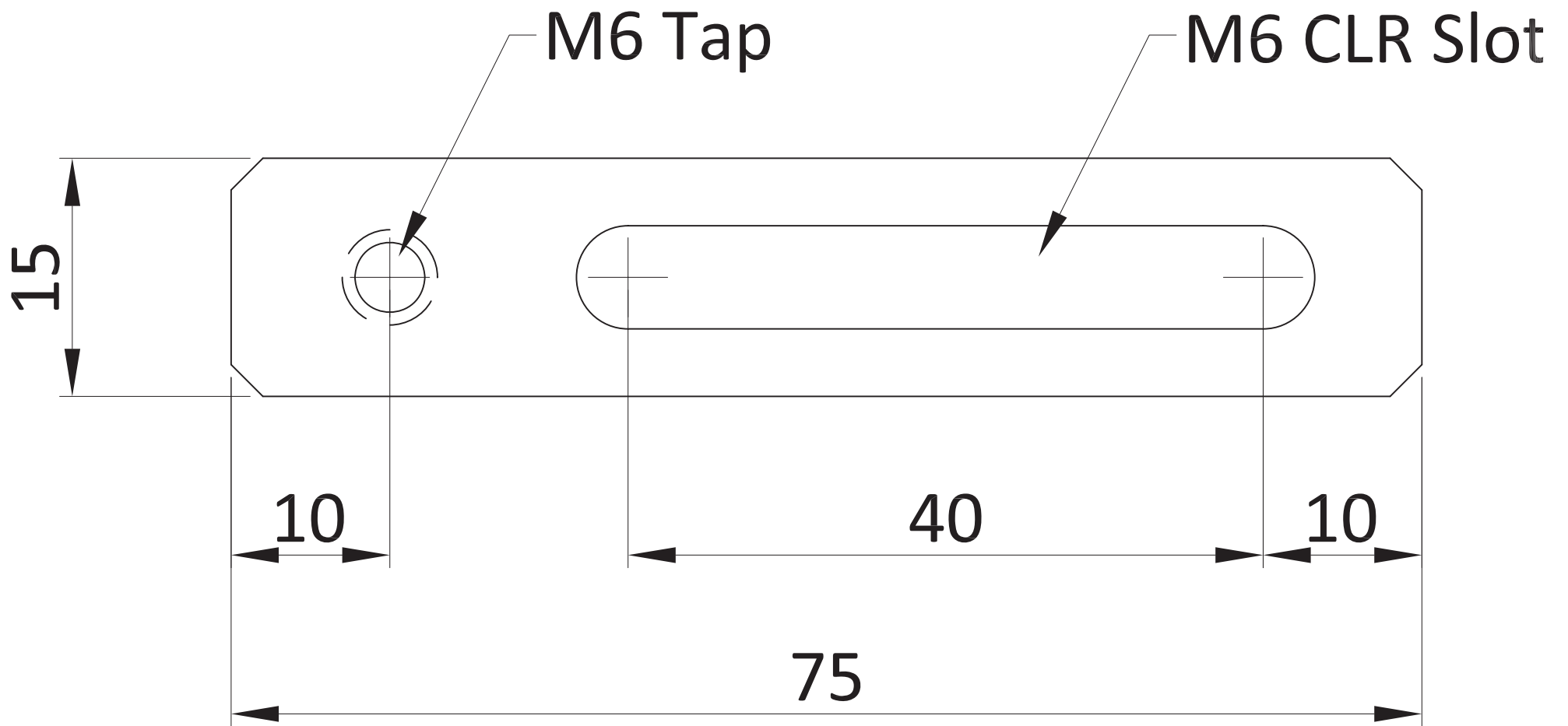
Scale : NA



**HOLMARC**  
OPTO-MECHATRONICS PVT. LTD.

Table Clamps

THIS INFORMATION IS CONFIDENTIAL AND PROPRIETARY TO HOLMARC . ITS WORLDWIDE SUBSIDIARIES AND/OR AFFILIATES.IT MAY NOT BE DISCLOSED TO ANYONE, OTHER THAN HOLMARC PERSONNEL, WITHOUT WRITTEN AUTHORIZATION FROM AN AUTHORIZED REPRESENTATIVE OF HOLMARC



Model : TC-75

"INFORMATION ONLY, NOT FOR MANUFACTURING"

ALL DIMENSIONS ARE IN MM  
UNLESS OTHERWISE STATED

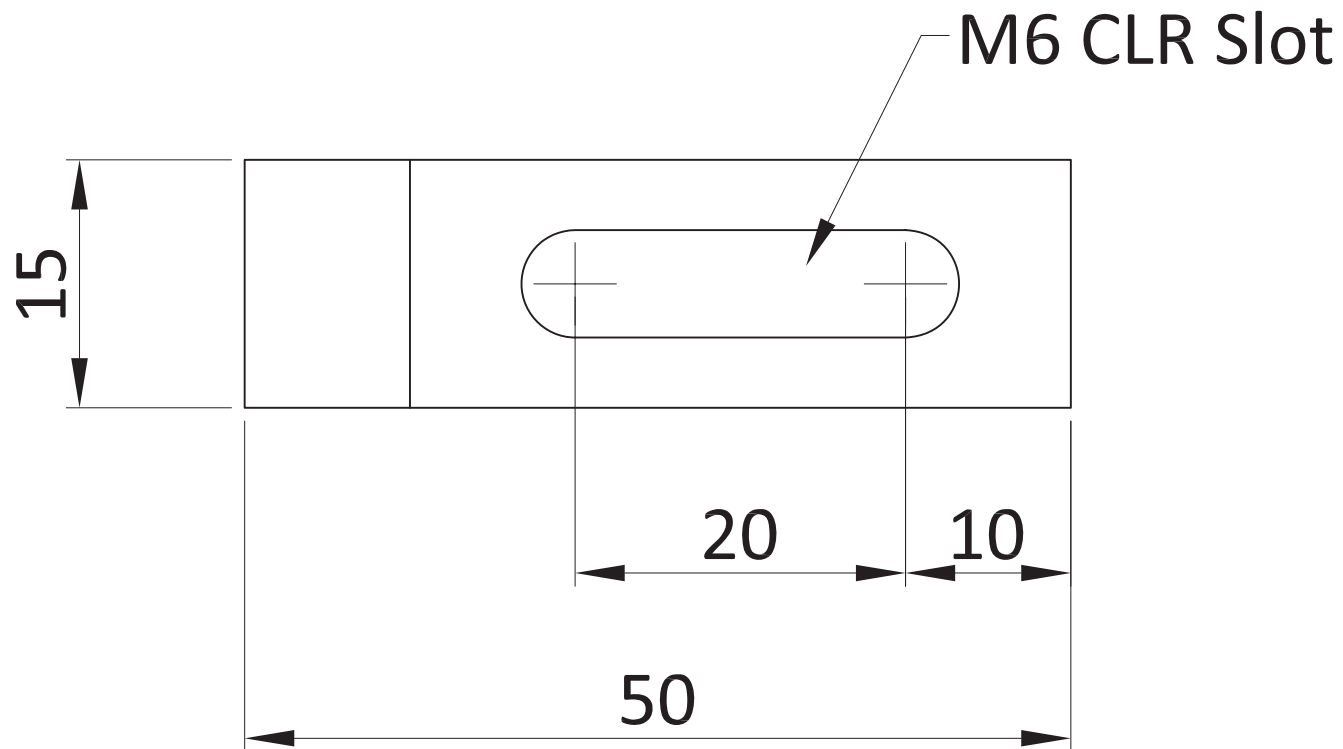
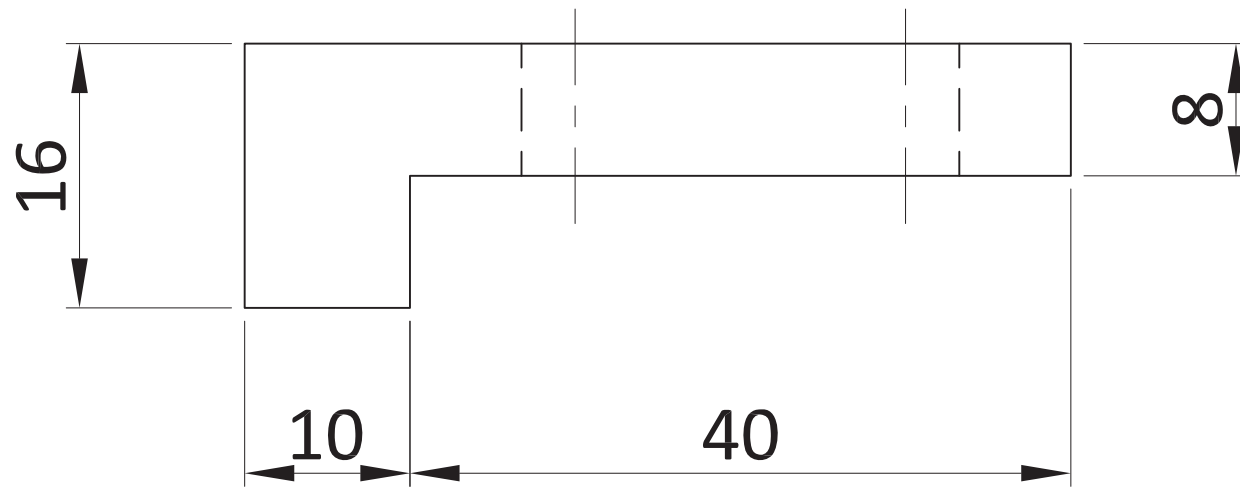
 Scale : NA



**HOLMARC**  
OPTO-MECHATRONICS PVT. LTD.

Table Clamps

THIS INFORMATION IS CONFIDENTIAL AND PROPRIETARY TO HOLMARC . ITS WORLDWIDE SUBSIDIARIES AND/OR AFFILIATES.IT MAY NOT BE DISCLOSED TO ANYONE, OTHER THAN HOLMARC PERSONNEL, WITHOUT WRITTEN AUTHORIZATION FROM AN AUTHORIZED REPRESENTATIVE OF HOLMARC



Model : L-TC-50

"INFORMATION ONLY, NOT FOR MANUFACTURING"

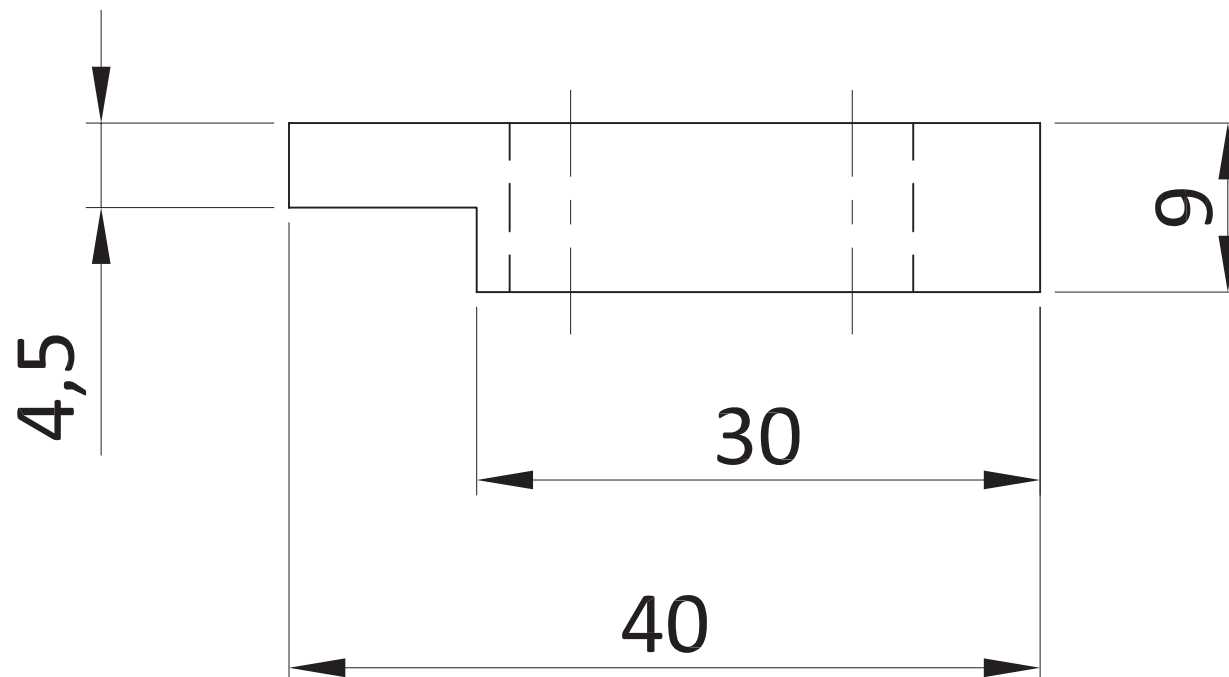
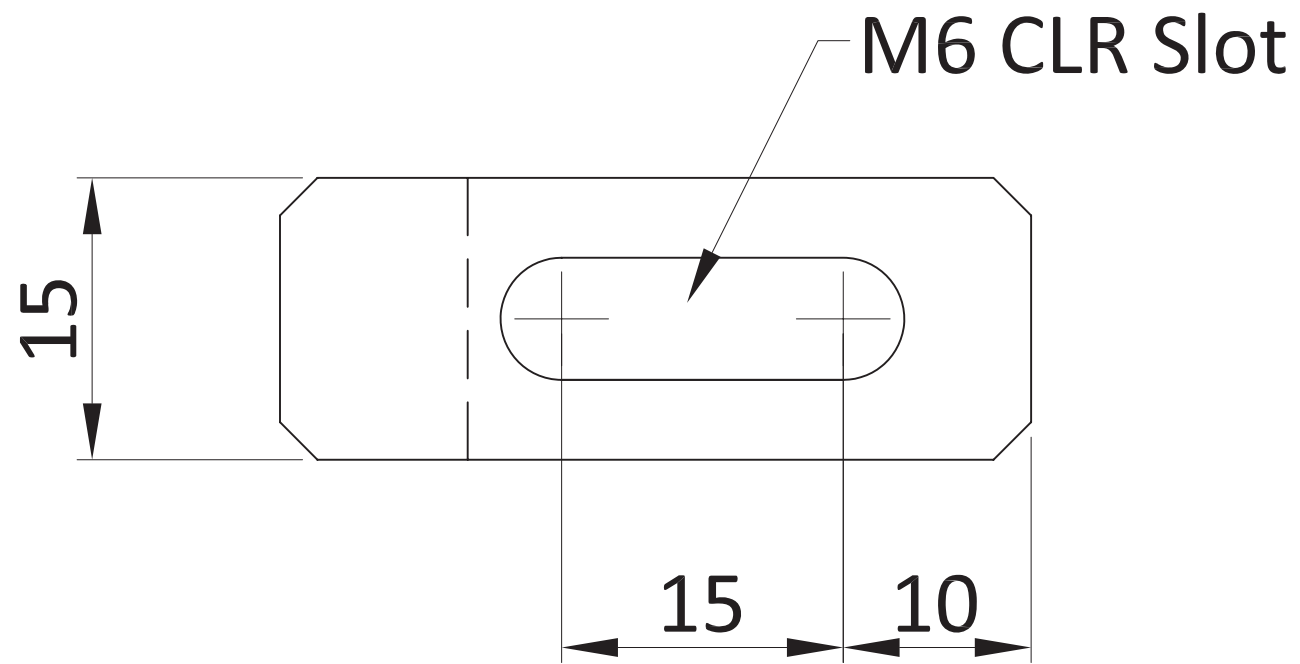
ALL DIMENSIONS ARE IN MM  
UNLESS OTHERWISE STATED



**HOLMARC**  
OPTO-MECHATRONICS PVT. LTD.

Table Clamps

THIS INFORMATION IS CONFIDENTIAL AND PROPRIETARY  
TO HOLMARC . ITS WORLDWIDE SUBSIDIARIES AND/OR AFFILIATES.IT  
MAY NOT BE DISCLOSED TO ANYONE, OTHER THAN HOLMARC  
PERSONNEL, WITHOUT WRITTEN AUTHORIZATION FROM AN AUTHORIZED  
REPRESENTATIVE OF HOLMARC



Model : TC-ST-35

"INFORMATION ONLY, NOT FOR MANUFACTURING"

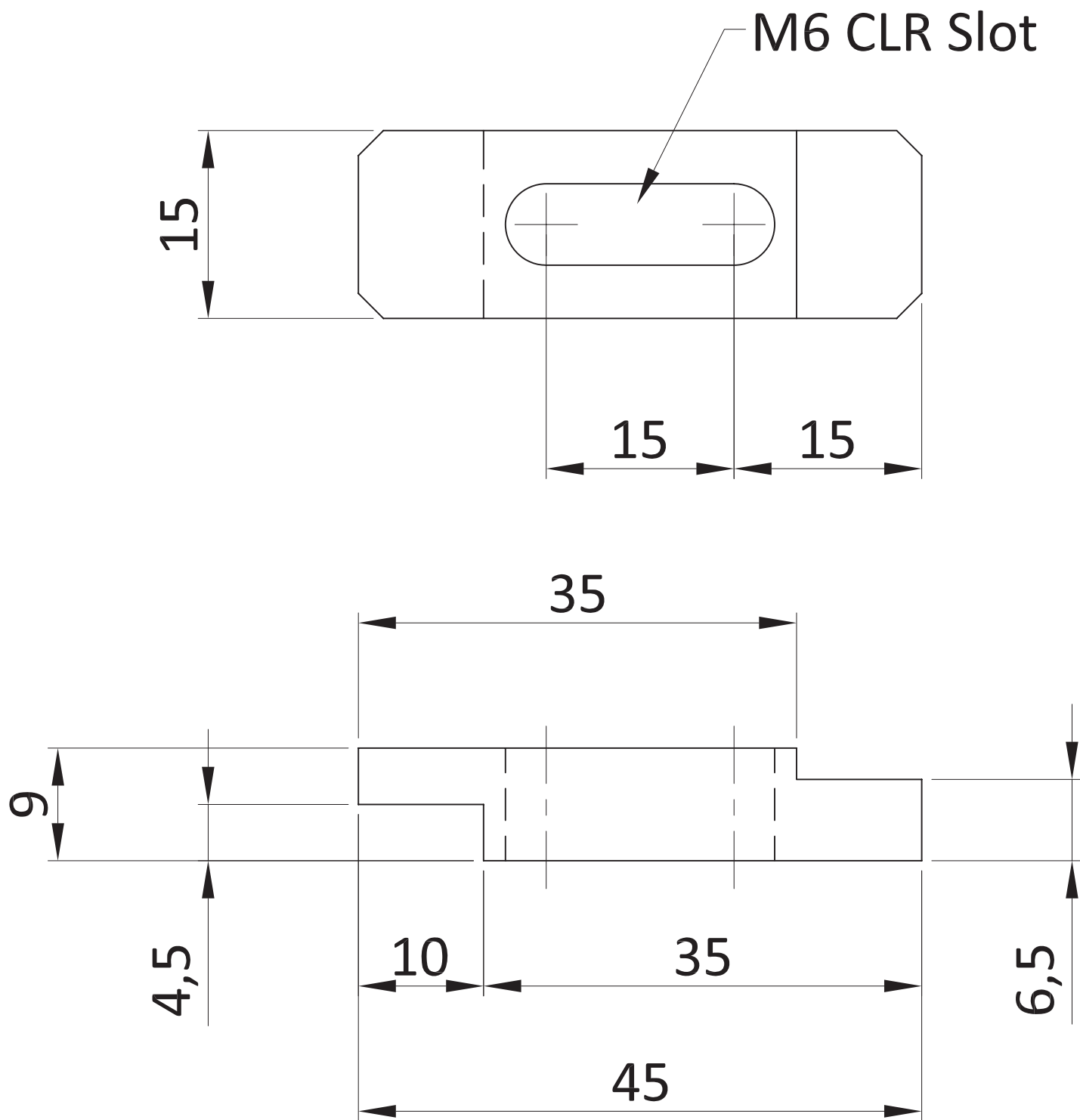
ALL DIMENSIONS ARE IN MM  
UNLESS OTHERWISE STATED



**HOLMARC**  
OPTO-MECHATRONICS PVT. LTD.

Table Clamps

THIS INFORMATION IS CONFIDENTIAL AND PROPRIETARY  
TO HOLMARC . ITS WORLDWIDE SUBSIDIARIES AND/OR AFFILIATES.IT  
MAY NOT BE DISCLOSED TO ANYONE, OTHER THAN HOLMARC  
PERSONNEL, WITHOUT WRITTEN AUTHORIZATION FROM AN AUTHORIZED  
REPRESENTATIVE OF HOLMARC



Model : TC-DST-35

"INFORMATION ONLY, NOT FOR MANUFACTURING"

ALL DIMENSIONS ARE IN MM  
UNLESS OTHERWISE STATED



Scale : NA



**HOLMARC**  
OPTO-MECHATRONICS PVT. LTD.

Table Clamps

THIS INFORMATION IS CONFIDENTIAL AND PROPRIETARY TO HOLMARC . ITS WORLDWIDE SUBSIDIARIES AND/OR AFFILIATES.IT MAY NOT BE DISCLOSED TO ANYONE, OTHER THAN HOLMARC PERSONNEL, WITHOUT WRITTEN AUTHORIZATION FROM AN AUTHORIZED REPRESENTATIVE OF HOLMARC