

"INFORMATION ONLY, NOT FOR MANUFACTURING"

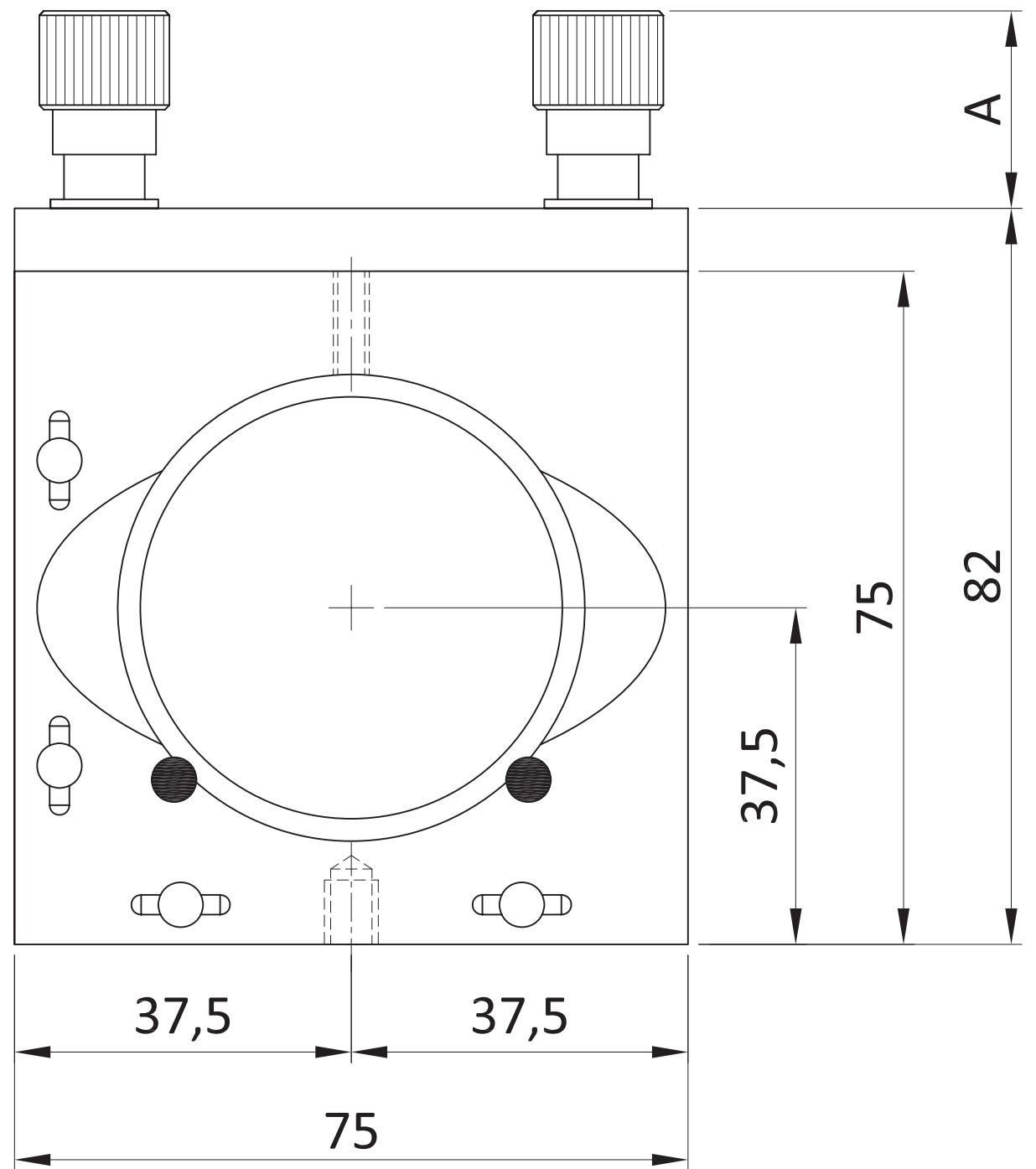
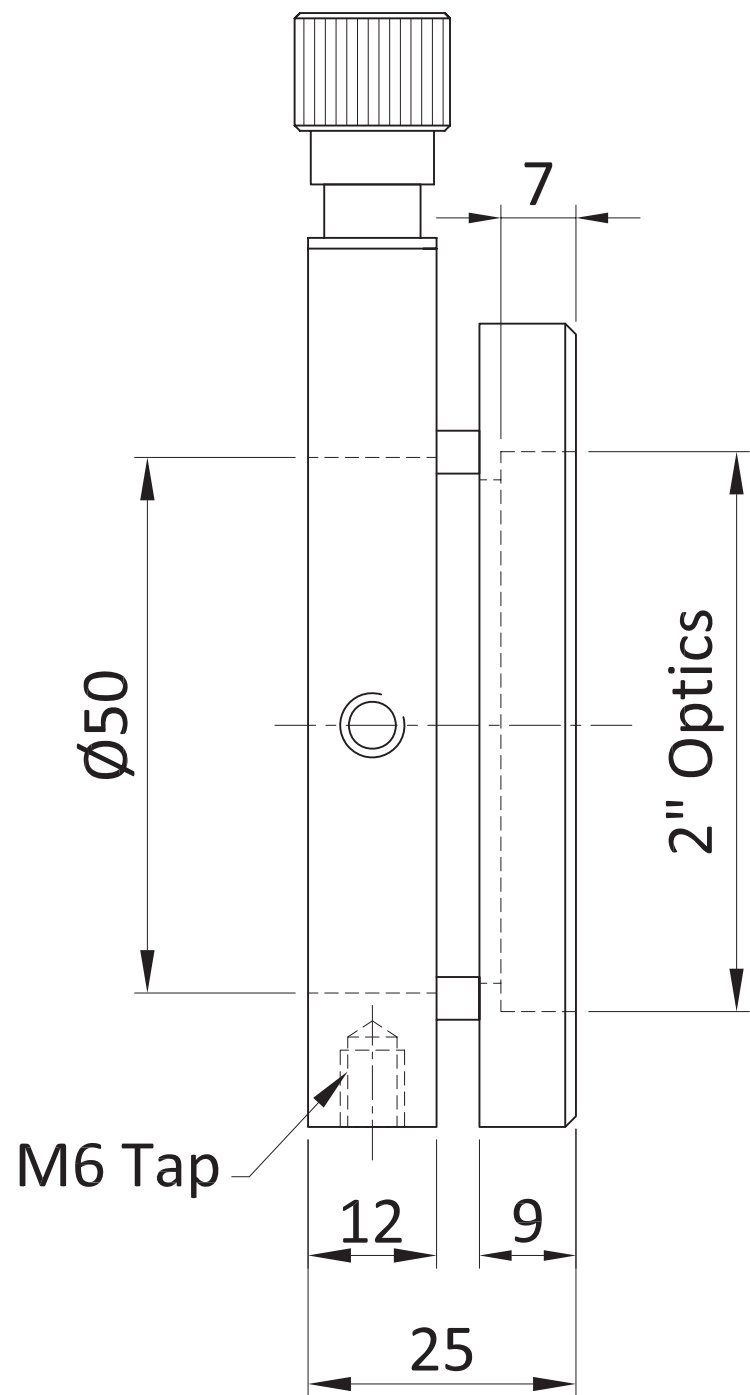
ALL DIMENSIONS ARE IN MM  
UNLESS OTHERWISE STATED

Scale : NA

**HOLMARC**  
OPTO-MECHATRONICS PVT. LTD.

Top Adjustable Mounts  
(TABM SERIES)

THIS INFORMATION IS CONFIDENTIAL AND PROPRIETARY  
TO HOLMARC, ITS WORLDWIDE SUBSIDIARIES AND/OR AFFILIATES. IT  
MAY NOT BE DISCLOSED TO ANYONE, OTHER THAN HOLMARC  
PERSONNEL, WITHOUT WRITTEN AUTHORIZATION FROM AN AUTHORIZED  
REPRESENTATIVE OF HOLMARC



"INFORMATION ONLY, NOT FOR MANUFACTURING"

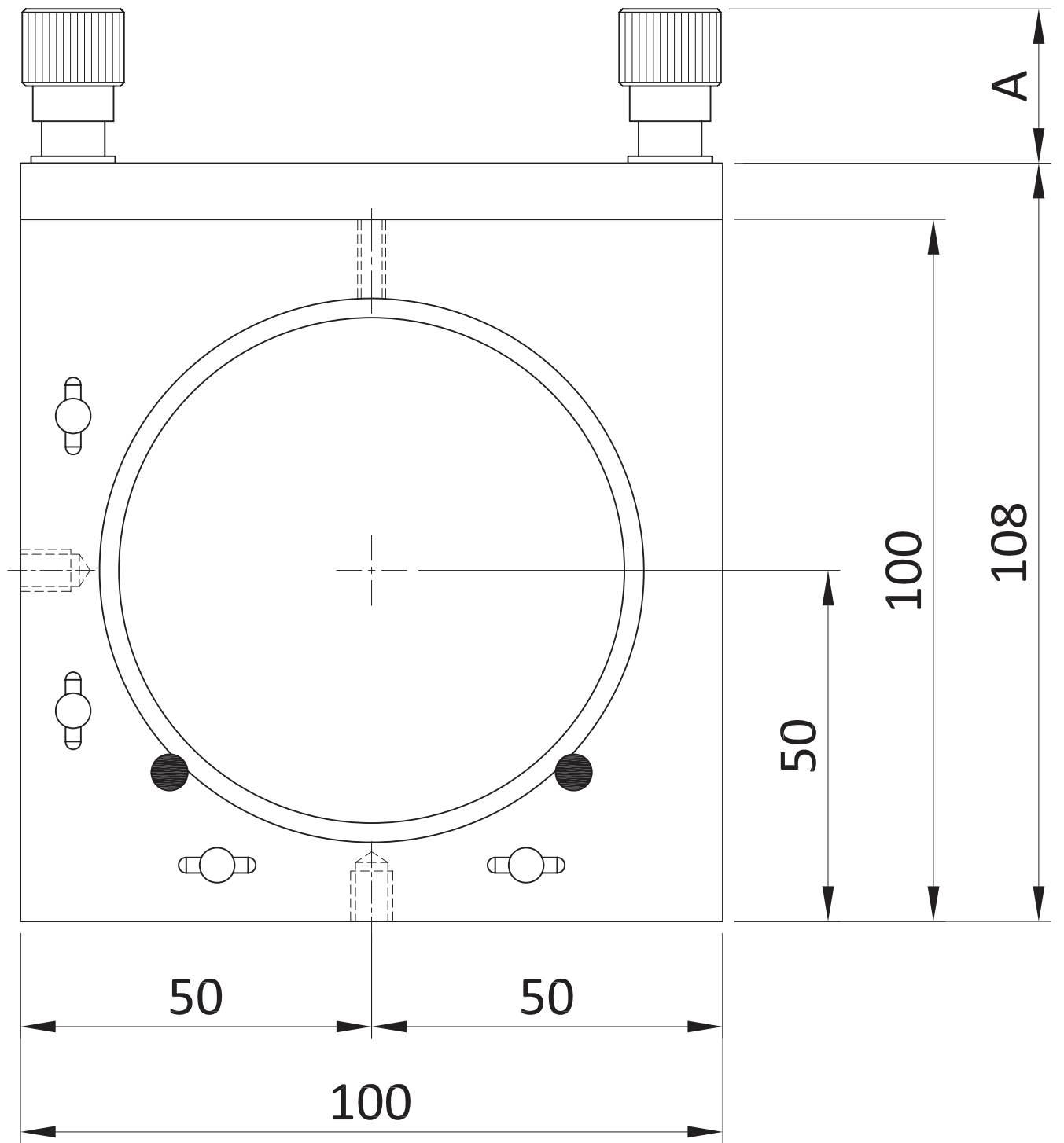
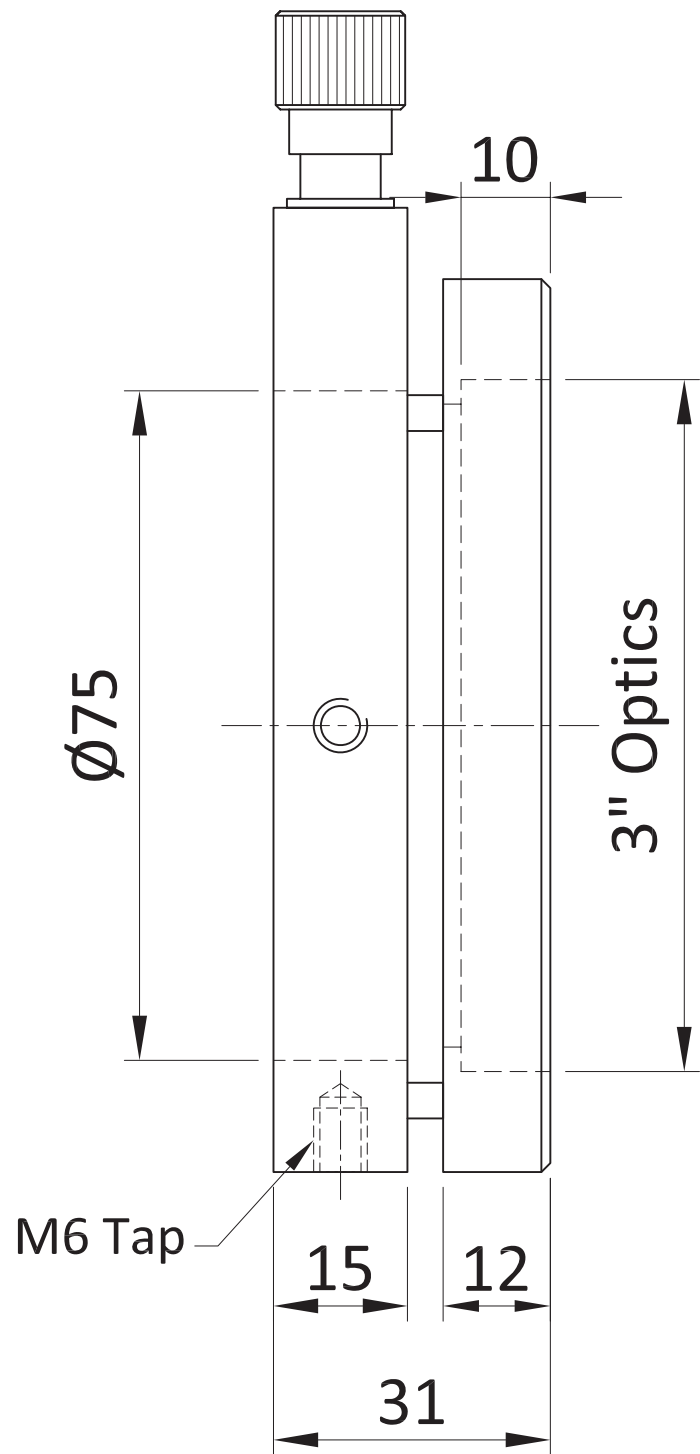
ALL DIMENSIONS ARE IN MM  
UNLESS OTHERWISE STATED

Scale : NA



Top Adjustable Mounts  
(TABM SERIES)

THIS INFORMATION IS CONFIDENTIAL AND PROPRIETARY TO HOLMARC, ITS WORLDWIDE SUBSIDIARIES AND/OR AFFILIATES. IT MAY NOT BE DISCLOSED TO ANYONE, OTHER THAN HOLMARC PERSONNEL, WITHOUT WRITTEN AUTHORIZATION FROM AN AUTHORIZED REPRESENTATIVE OF HOLMARC



"INFORMATION ONLY, NOT FOR MANUFACTURING"

ALL DIMENSIONS ARE IN MM  
UNLESS OTHERWISE STATED

Scale : NA



Top Adjustable Mounts  
(TABM SERIES)

THIS INFORMATION IS CONFIDENTIAL AND PROPRIETARY TO HOLMARC, ITS WORLDWIDE SUBSIDIARIES AND/OR AFFILIATES. IT MAY NOT BE DISCLOSED TO ANYONE, OTHER THAN HOLMARC PERSONNEL, WITHOUT WRITTEN AUTHORIZATION FROM AN AUTHORIZED REPRESENTATIVE OF HOLMARC