

"INFORMATION ONLY, NOT FOR MANUFACTURING"

ALL DIMENSIONS ARE IN MM
UNLESS OTHERWISE STATED



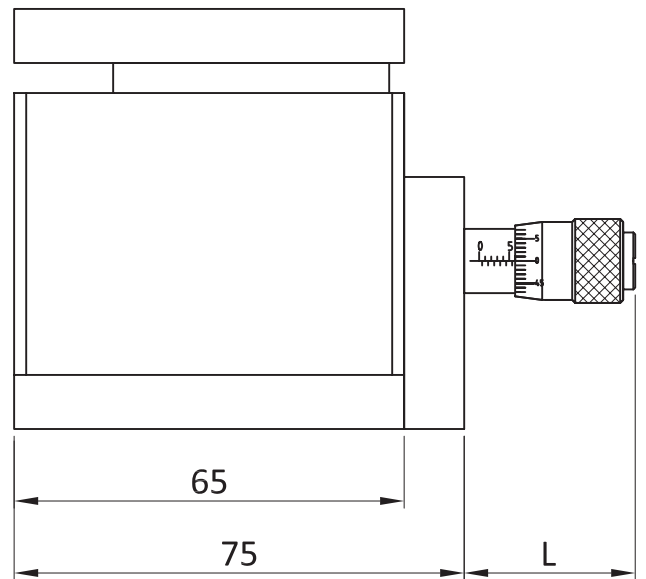
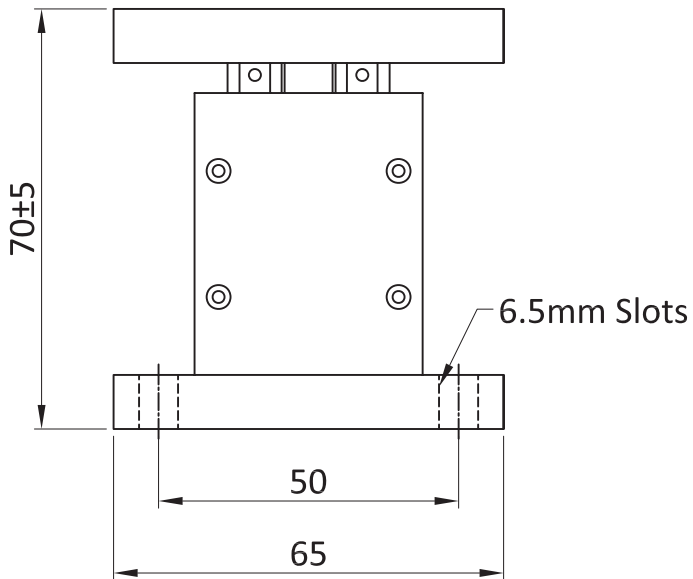
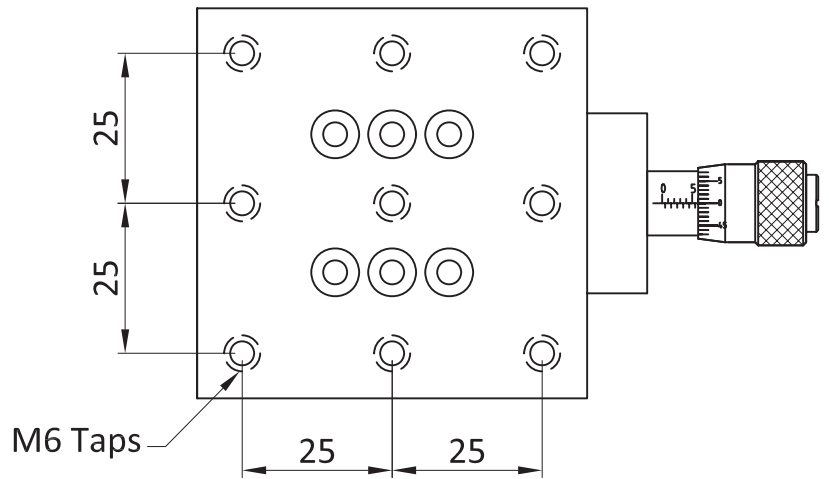
Scale : NA



HOLMARC
OPTO-MECHATRONICS PVT. LTD

VTS-5-Mu10
Vertical Translation Stage

THIS INFORMATION IS CONFIDENTIAL AND PROPRIETARY
TO HOLMARC, ITS WORLDWIDE SUBSIDIARIES AND/OR AFFILIATES IT
MAY NOT BE DISCLOSED TO ANYONE, OTHER THAN HOLMARC
PERSONNEL, WITHOUT WRITTEN AUTHORIZATION FROM AN AUTHORIZED
REPRESENTATIVE OF HOLMARC



"INFORMATION ONLY, NOT FOR MANUFACTURING"

ALL DIMENSIONS ARE IN MM
UNLESS OTHERWISE STATED



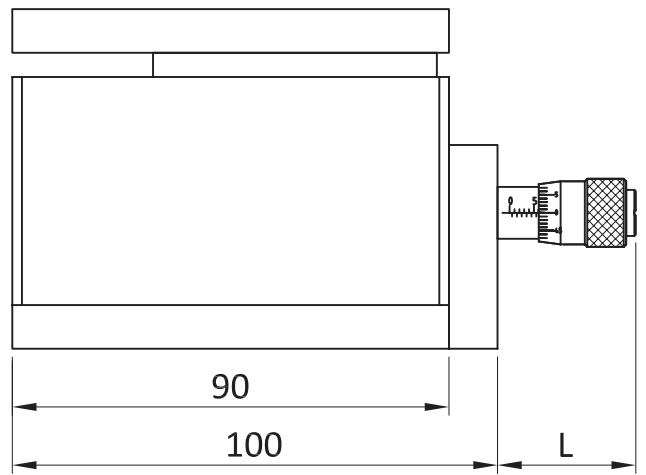
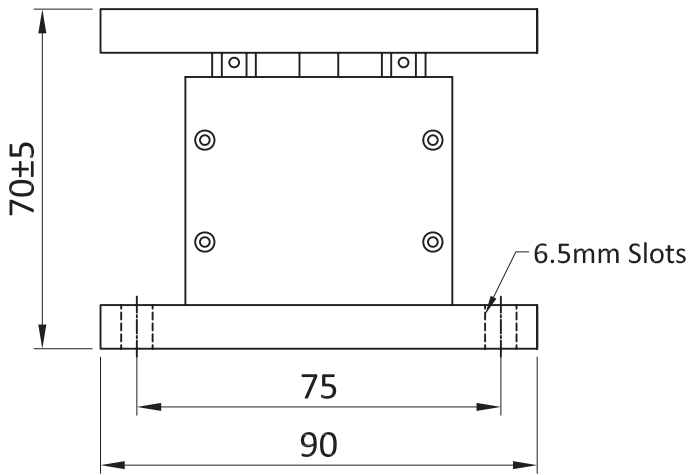
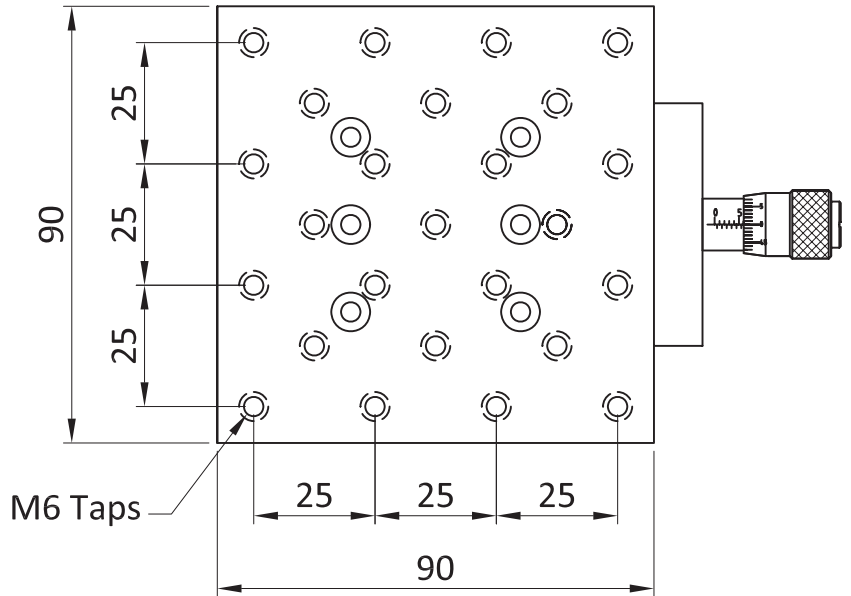
Scale : NA



HOLMARC
OPTO-MECHATRONICS PVT. LTD

VTS-10-Mu10
Vertical Translation Stage

THIS INFORMATION IS CONFIDENTIAL AND PROPRIETARY
TO HOLMARC, ITS WORLDWIDE SUBSIDIARIES AND/OR AFFILIATES IT
MAY NOT BE DISCLOSED TO ANYONE, OTHER THAN HOLMARC
PERSONNEL, WITHOUT WRITTEN AUTHORIZATION FROM AN AUTHORIZED
REPRESENTATIVE OF HOLMARC



"INFORMATION ONLY, NOT FOR MANUFACTURING"

ALL DIMENSIONS ARE IN MM
UNLESS OTHERWISE STATED



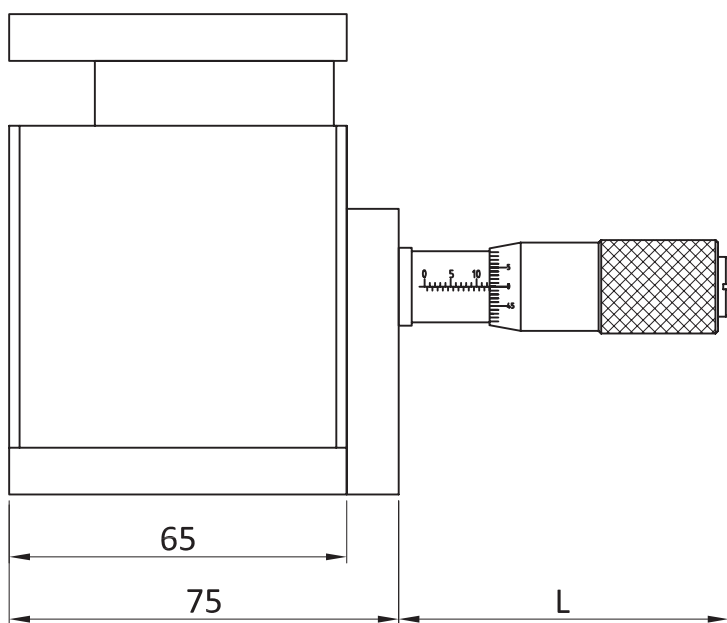
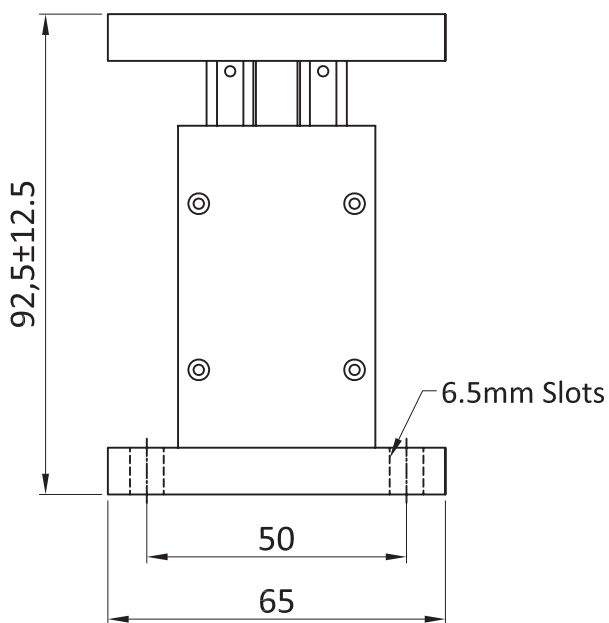
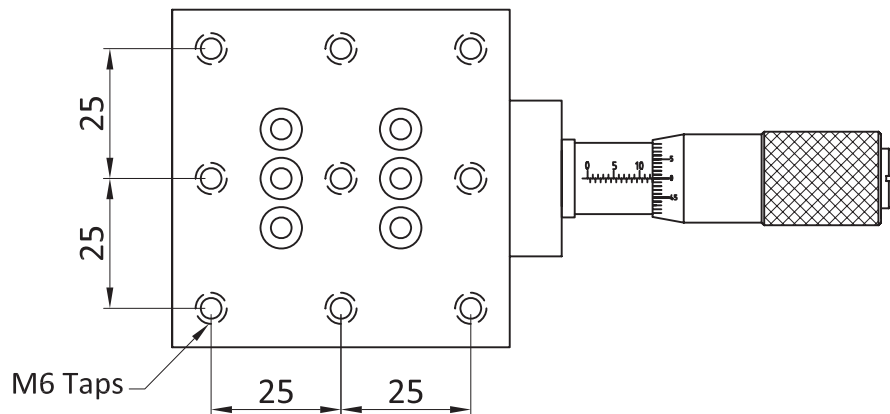
Scale : NA



HOLMARC
OPTO-MECHATRONICS PVT. LTD

VTS-10-90-Mu10
Vertical Translation Stage

THIS INFORMATION IS CONFIDENTIAL AND PROPRIETARY
TO HOLMARC, ITS WORLDWIDE SUBSIDIARIES AND/OR AFFILIATES IT
MAY NOT BE DISCLOSED TO ANYONE, OTHER THAN HOLMARC
PERSONNEL, WITHOUT WRITTEN AUTHORIZATION FROM AN AUTHORIZED
REPRESENTATIVE OF HOLMARC



"INFORMATION ONLY, NOT FOR MANUFACTURING"

ALL DIMENSIONS ARE IN MM
UNLESS OTHERWISE STATED



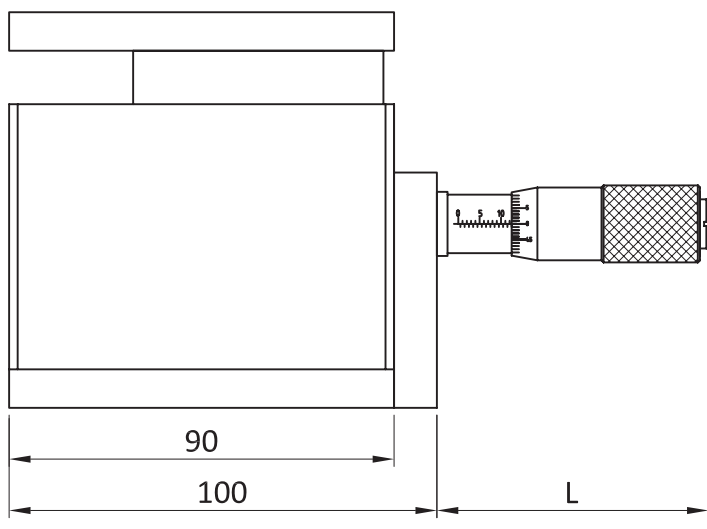
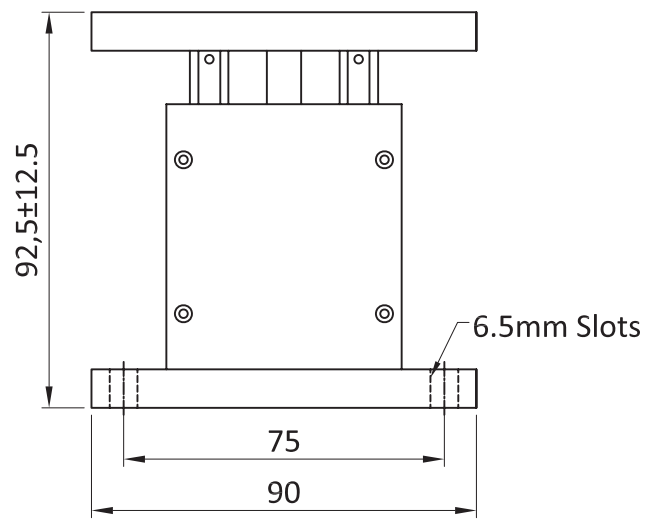
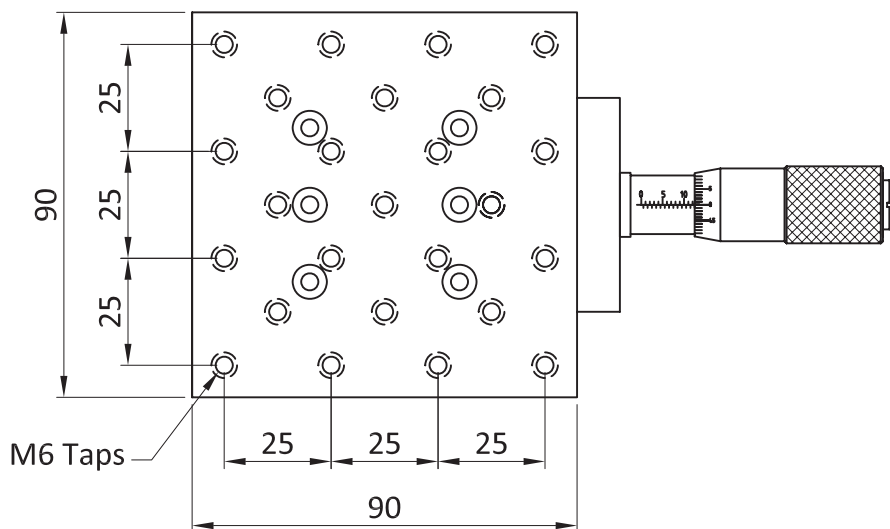
Scale : NA



HOLMARC
OPTO-MECHATRONICS PVT. LTD

VTS-25-Mu10
Vertical Translation Stage

THIS INFORMATION IS CONFIDENTIAL AND PROPRIETARY
TO HOLMARC, ITS WORLDWIDE SUBSIDIARIES AND/OR AFFILIATES IT
MAY NOT BE DISCLOSED TO ANYONE, OTHER THAN HOLMARC
PERSONNEL, WITHOUT WRITTEN AUTHORIZATION FROM AN AUTHORIZED
REPRESENTATIVE OF HOLMARC



"INFORMATION ONLY, NOT FOR MANUFACTURING"

ALL DIMENSIONS ARE IN MM
UNLESS OTHERWISE STATED



HOLMARC
OPTO-MECHATRONICS PVT. LTD

VTS-25-90-Mu10
Vertical Translation Stage

THIS INFORMATION IS CONFIDENTIAL AND PROPRIETARY TO HOLMARC, ITS WORLDWIDE SUBSIDIARIES AND/OR AFFILIATES IT MAY NOT BE DISCLOSED TO ANYONE, OTHER THAN HOLMARC PERSONNEL, WITHOUT WRITTEN AUTHORIZATION FROM AN AUTHORIZED REPRESENTATIVE OF HOLMARC