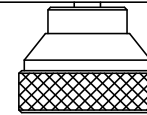
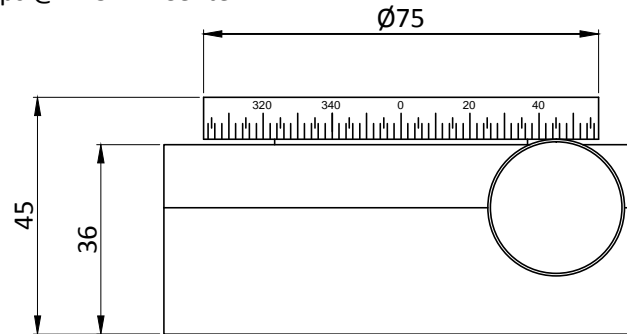


M6 Holes 3nos.

M6 Taps @12.5mm Center



Model No: WRS-75



"INFORMATION ONLY NOT FOR MANUFACTURING"

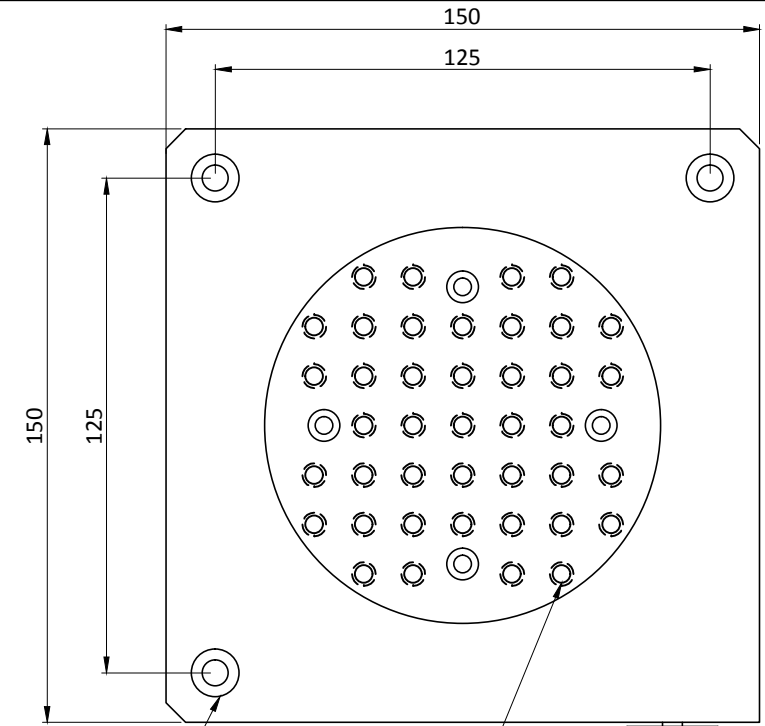
ALL DIMENSIONS ARE IN MM
UNLESS OTHERWISE STATED

Scale : NA



Rotation Stages With
Continous Rotation

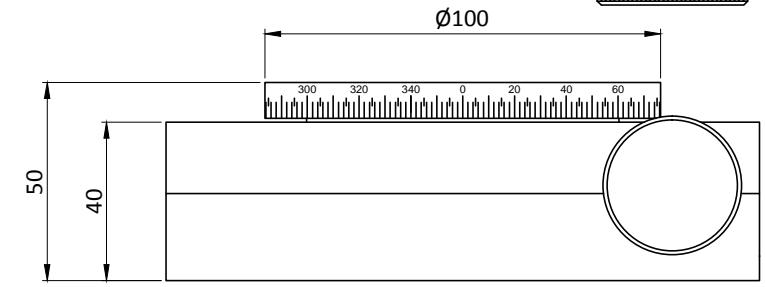
THIS INFORMATION IS CONFIDENTIAL AND PROPRIETARY TO HOLMARC, ITS WORLDWIDE SUBSIDIARIES AND/OR AFFILIATES. IT MAY NOT BE DISCLOSED TO ANYONE, OTHER THAN HOLMARC PERSONNEL, WITHOUT WRITTEN AUTHORIZATION FROM AN AUTHORIZED REPRESENTATIVE OF HOLMARC



M6 CBRs 3nos.

M6 Taps @12.5mm Center

Model No: WRS-100



"INFORMATION ONLY NOT FOR MANUFACTURING"

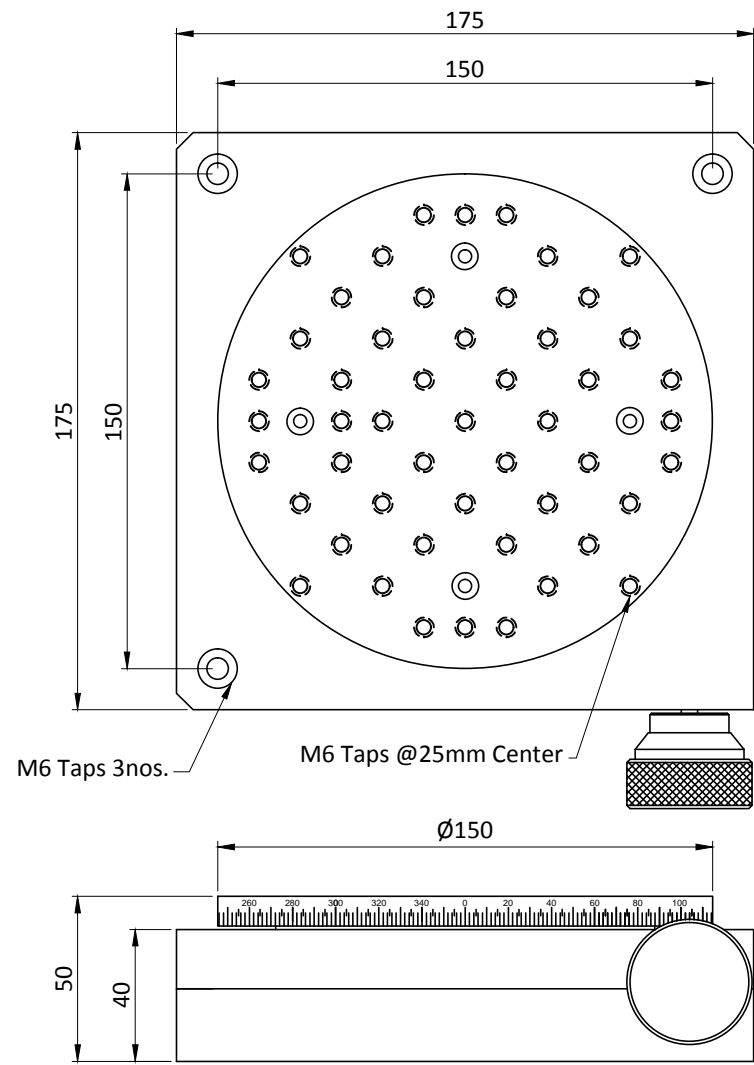
ALL DIMENSIONS ARE IN MM
UNLESS OTHERWISE STATED

Scale : NA



Rotation Stages With
Continous Rotation

THIS INFORMATION IS CONFIDENTIAL AND PROPRIETARY TO HOLMARC, ITS WORLDWIDE SUBSIDIARIES AND/OR AFFILIATES. IT MAY NOT BE DISCLOSED TO ANYONE, OTHER THAN HOLMARC PERSONNEL, WITHOUT WRITTEN AUTHORIZATION FROM AN AUTHORIZED REPRESENTATIVE OF HOLMARC



Model No: WRS-150

"INFORMATION ONLY NOT FOR MANUFACTURING"

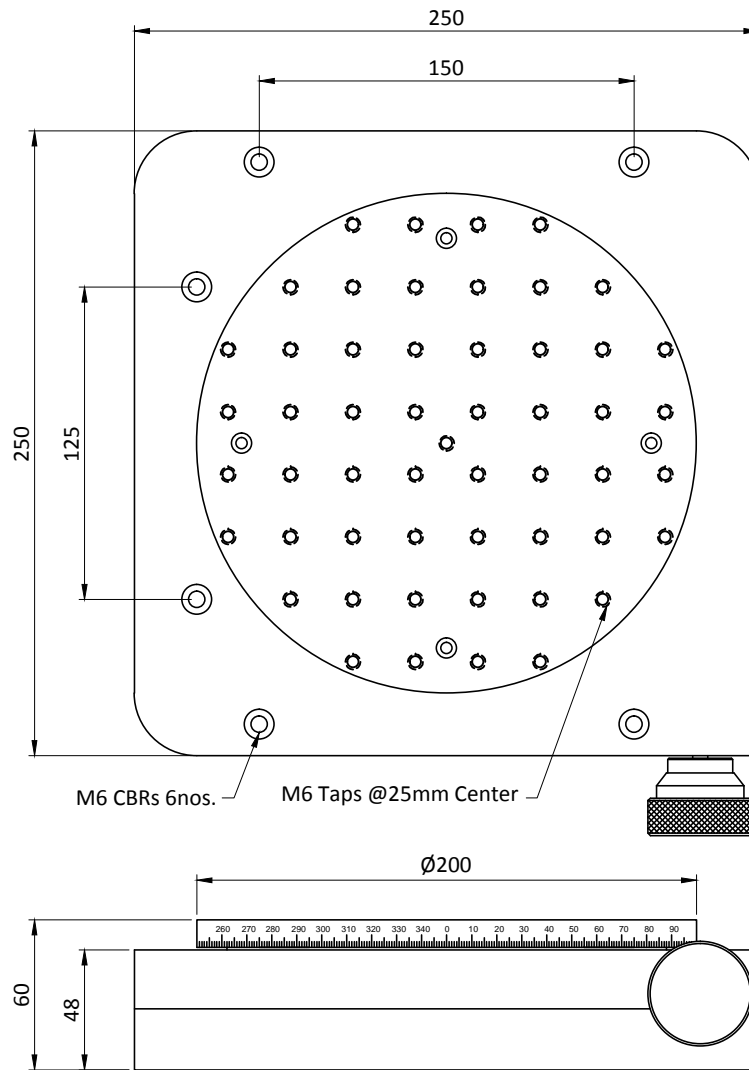
ALL DIMENSIONS ARE IN MM
UNLESS OTHERWISE STATED

Scale : NA



Rotation Stages With
Continous Rotation

THIS INFORMATION IS CONFIDENTIAL AND PROPRIETARY TO HOLMARC, ITS WORLDWIDE SUBSIDIARIES AND/OR AFFILIATES. IT MAY NOT BE DISCLOSED TO ANYONE, OTHER THAN HOLMARC PERSONNEL, WITHOUT WRITTEN AUTHORIZATION FROM AN AUTHORIZED REPRESENTATIVE OF HOLMARC



Model No: WRS-200

"INFORMATION ONLY NOT FOR MANUFACTURING"

ALL DIMENSIONS ARE IN MM
UNLESS OTHERWISE STATED

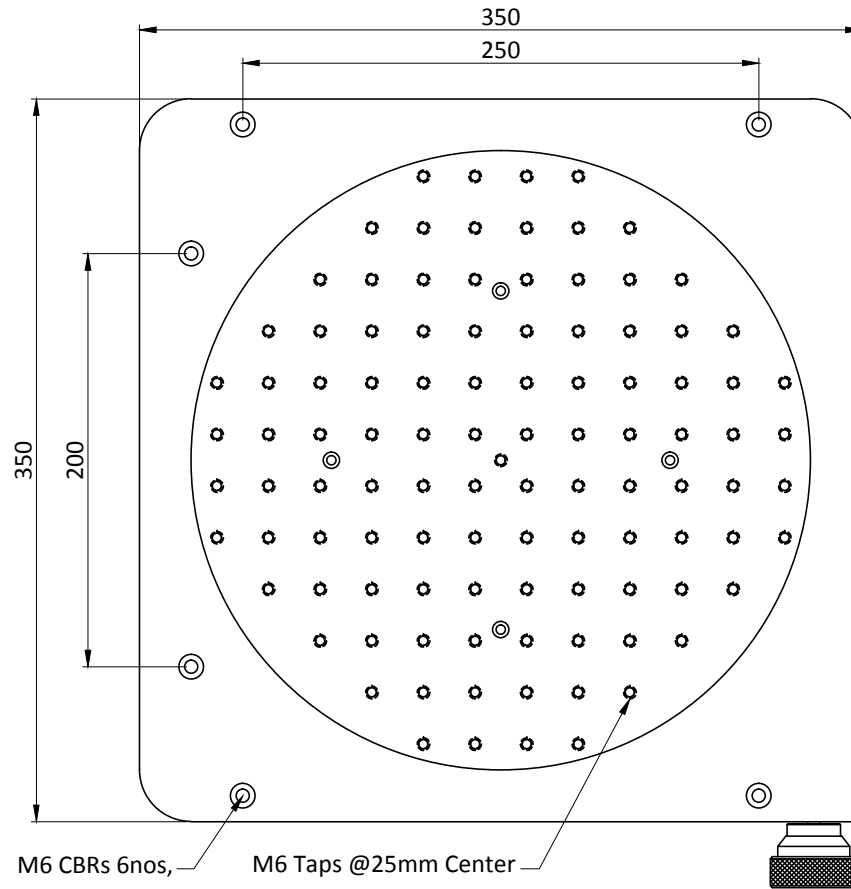
Scale : NA



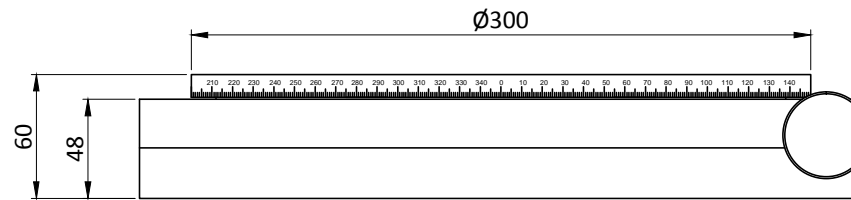
HOLMARC
OPTO-MECHATRONICS PVT. LTD

Rotation Stages With
Continous Rotation

THIS INFORMATION IS CONFIDENTIAL AND PROPRIETARY TO HOLMARC, ITS WORLDWIDE SUBSIDIARIES AND/OR AFFILIATES. IT MAY NOT BE DISCLOSED TO ANYONE, OTHER THAN HOLMARC PERSONNEL, WITHOUT WRITTEN AUTHORIZATION FROM AN AUTHORIZED REPRESENTATIVE OF HOLMARC



Model No: WRS-300



M6 CBRs 6nos, M6 Taps @25mm Center

"INFORMATION ONLY NOT FOR MANUFACTURING"

ALL DIMENSIONS ARE IN MM
UNLESS OTHERWISE STATED

Scale : NA



Rotation Stages With
Continous Rotation

THIS INFORMATION IS CONFIDENTIAL AND PROPRIETARY TO HOLMARC, ITS WORLDWIDE SUBSIDIARIES AND/OR AFFILIATES. IT MAY NOT BE DISCLOSED TO ANYONE, OTHER THAN HOLMARC PERSONNEL, WITHOUT WRITTEN AUTHORIZATION FROM AN AUTHORIZED REPRESENTATIVE OF HOLMARC