

Model No: XYZCTS 35x35

"INFORMATION ONLY NOT FOR MANUFACTURING"

ALL DIMENSIONS ARE IN MM
UNLESS OTHERWISE STATED

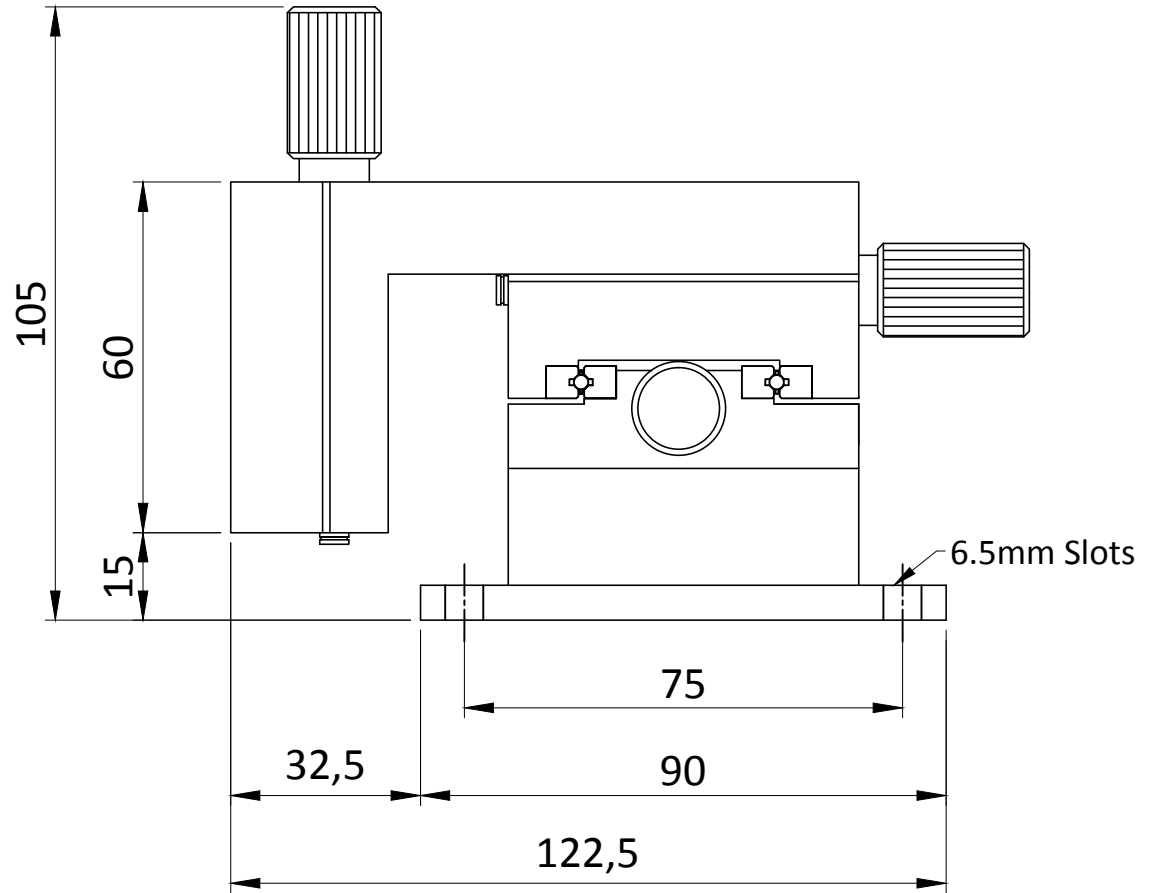
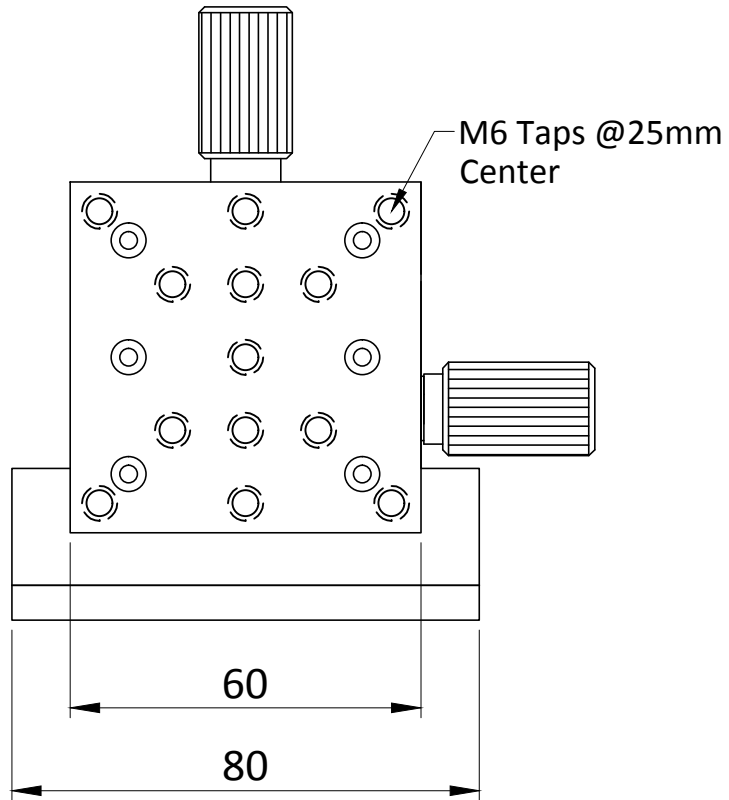
Scale : NA



HOLMARC
OPTO-MECHATRONICS PVT. LTD

XYZ Compact Translation Stage

THIS INFORMATION IS CONFIDENTIAL AND PROPRIETARY TO HOLMARC, ITS WORLDWIDE SUBSIDIARIES AND/OR AFFILIATES. IT MAY NOT BE DISCLOSED TO ANYONE, OTHER THAN HOLMARC PERSONNEL, WITHOUT WRITTEN AUTHORIZATION FROM AN AUTHORIZED REPRESENTATIVE OF HOLMARC



Model No: XYZCTS 60x60

"INFORMATION ONLY NOT FOR MANUFACTURING"

ALL DIMENSIONS ARE IN MM
UNLESS OTHERWISE STATED

Scale : NA



HOLMARC
OPTO-MECHATRONICS PVT. LTD

XYZ Compact Translation Stage

THIS INFORMATION IS CONFIDENTIAL AND PROPRIETARY TO HOLMARC, ITS WORLDWIDE SUBSIDIARIES AND/OR AFFILIATES. IT MAY NOT BE DISCLOSED TO ANYONE, OTHER THAN HOLMARC PERSONNEL, WITHOUT WRITTEN AUTHORIZATION FROM AN AUTHORIZED REPRESENTATIVE OF HOLMARC