

Cyrogenic Solenoid Valve S9610-P, S9710-P Series (G1/8", G1/4", G1/2")

GENERAL FEATURES

- Liquid nitrogen (-320 ° F / -194 ° C), liquid argon (-303 ° F / -184 ° C), and liquid oxygen (-297 ° / -181 ° C)
- Internal Parts : Stainless Steel
- Seals : PTFE
- Fluid Temperature : -196°C to +90°C
- Ambient Temperature : max +50°C

ELECTRICAL CHARACTERISTICS

- Continuous Duty : ED %100
- Coil Insulation Class : H (180°C)(IEC 85)
- Coil Impregnation : Polyester Fiber Glass
- Protection Degree : IP68
- Electrical Safety : IEC 335
- Standard Voltages : AC 12V 15VA, 24V 15VA, 48V 15VA, 110V 15VA, 230V 15VA, 230V 24VA
DC 12V 18W, 24V 18W, 48V 18W, 110V 18W

On request other voltages

- Voltages Tolerance : AC -15%, +10% DC -5%, +10%
- Frequency : 50 Hz (60 Hz...)

In order, please specify coil voltage. For details, please look at coil section.

MATERIALS IN CONTACT WITH FLUID

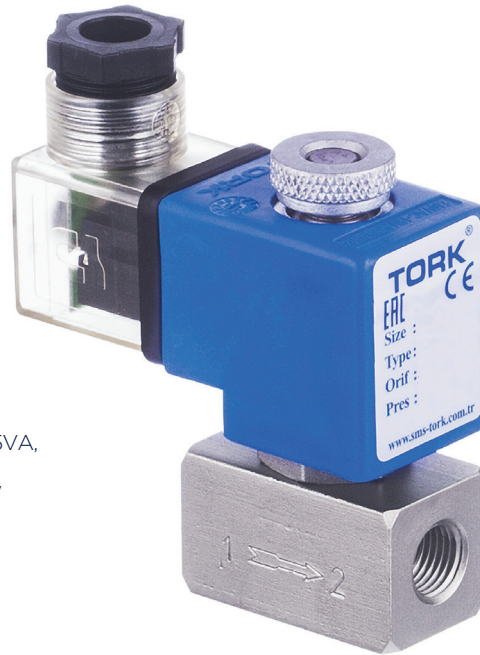
- Body : Stainless
- Internal Parts : Stainless Steel
- Sealing : Graphite Teflon
- Shading Ring : Copper (EN 12735-1)
- Seats, Core Tube, Springs: Stainless Steel

OPTIONS

- Female connection: BSP; (On request NPT)
- On request Atex (exproof) coil.

TECHNICAL FEATURES

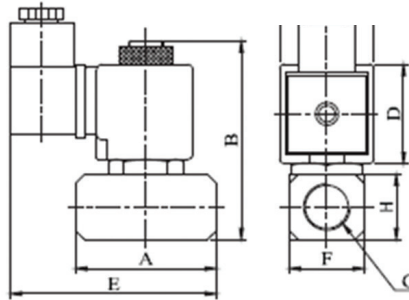
- Max. Viscosity : Max. 21 mm²/s
- Response Time : Opening time : 30 - 40 ms
Closing Time : 30 - 40 ms



NORMALLY CLOSED

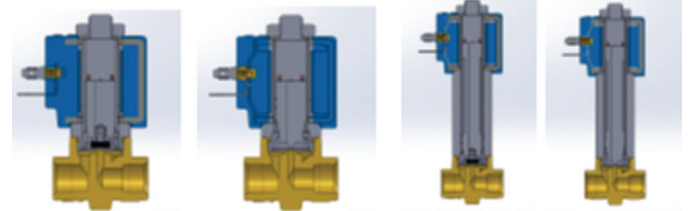
2/2 WAY

DIRECT ACTING



Dimensions (mm)

	G	A	B	C	D	E	F	H
1/8"	50	80.5	32	38.9	79.5	25	25	
1/4"	50	80.5	32	38.9	79.5	25	25	
3/8"	50	80.5	32	38.9	79.5	25	25	
1/2"	50	80.5	32	38.9	79.5	25	25	



Short Tube
Flat Sealing

Short Tube
Conic Sealing

Long Tube
Flat Sealing

Long Tube
Conic Sealing

Solenoid Valve Symbol	Valve Type/ Order No	Connection Size	Orifice Size	Pressure		Kv	Seal	Weight	Tube, Sealing Features
				min	max				
	S9610 - S9710	G	mm	Bar	Bar	Lt/dk	PTFE	kg	
	S9610.00.010T - P	1/8"	1	0	100	0.6	✓	0,68	Short Tube, Flat Sealing
	S9610.00.018T - P	1/8"	1.8	0	50	1.6	✓	0,68	Short Tube, Flat Sealing
	S9610.00.030T - P	1/8"	3	0	16	4.6	✓	0,68	Short Tube, Flat Sealing
	S9610.00.045T - P	1/8"	4.5	0	8	7.5	✓	0,68	Short Tube, Flat Sealing
	S9610.00.030T - PK	1/8"	3	0	16	4.6	✓	0,68	Short Tube, Conic Sealing
	S9610.00.045T - PK	1/8"	4.5	0	8	7.5	✓	0,68	Short Tube, Conic Sealing
	S9610.01.010T - P	1/4"	1	0	100	0.6	✓	0,67	Short Tube, Flat Sealing
	S9610.01.018T - P	1/4"	1.8	0	50	1.6	✓	0,67	Short Tube, Flat Sealing
	S9610.01.030T - P	1/4"	3	0	16	4.6	✓	0,67	Short Tube, Flat Sealing
	S9610.01.045T - P	1/4"	4.5	0	8	7.5	✓	0,67	Short Tube, Flat Sealing
	S9610.01.030T - PK	1/4"	3	0	16	4.6	✓	0,67	Short Tube, Conic Sealing
	S9610.01.045T - PK	1/4"	4.5	0	8	7.5	✓	0,67	Short Tube, Conic Sealing
	S9610.02.070T - P	1/2"	7	0	5	12.4	✓	0,63	Short Tube, Flat Sealing
	S9610.02.070T - PK	1/2"	7	0	5	12.4	✓	0,63	Short Tube, Conic Sealing
	S9710.00.030T - P	1/8"	3	0	16	4.6	✓	0,95	Long Tube, Flat Sealing
	S9710.01.030T - P	1/4"	3	0	16	4.6	✓	0,95	Long Tube, Flat Sealing